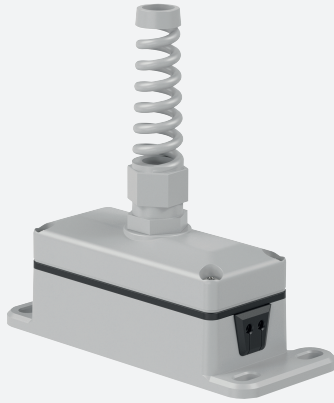


Junction box LAD 2

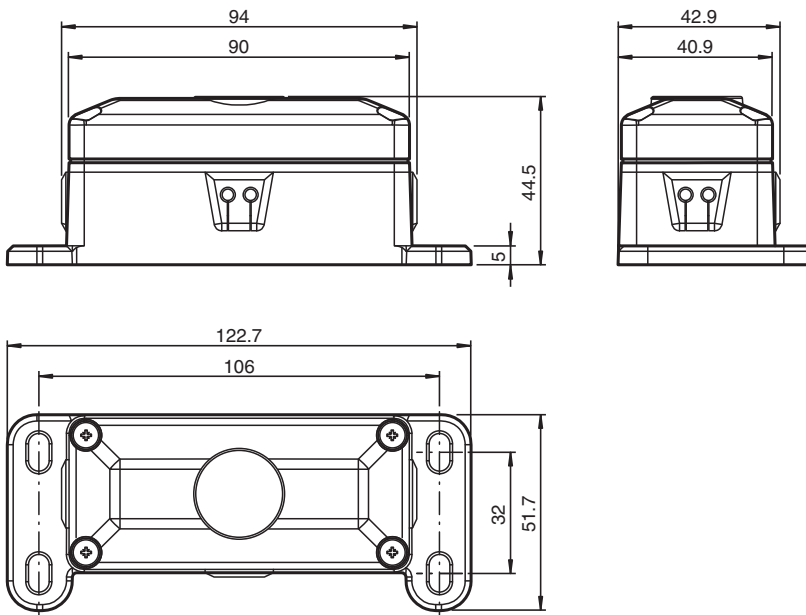
- Compact design



Junction box



Dimensions



Technical Data

General specifications

Marking CE

Mechanical specifications

Degree of protection	IP65
Connection	screw terminals , lead cross section 2 x 1 mm ²
Material	
Housing	PA 6 GF30 black or light gray
Dimensions	
Height	52 mm

Release date: 2024-07-01 Date of issue: 2024-07-01 Filename: 64214782_eng.pdf

Technical Data

Width	123 mm
Depth	45 mm