

Accessory DGE ADOS 21/12

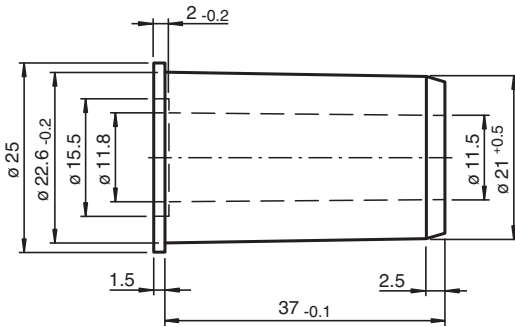


- Adapter plug for closing edge

Accessory DGE



Dimensions



Technical Data

General specifications	
Accessories provided	Mounting accessories included ; screws and T-slot nut M8
Mechanical specifications	
Material	Allruna W60 S 326 black
Mass	14 g
Dimensions	
Height	25 mm
Width	30 mm
Depth	18 mm

Release date: 2024-07-03 Date of issue: 2024-07-08 Filename: 64314725_eng.pdf