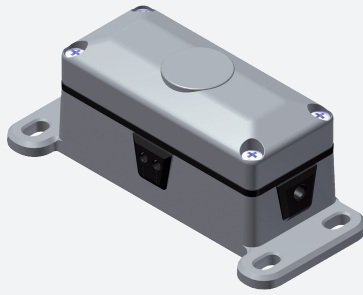


Junction box

LAD 2B / Modul 3

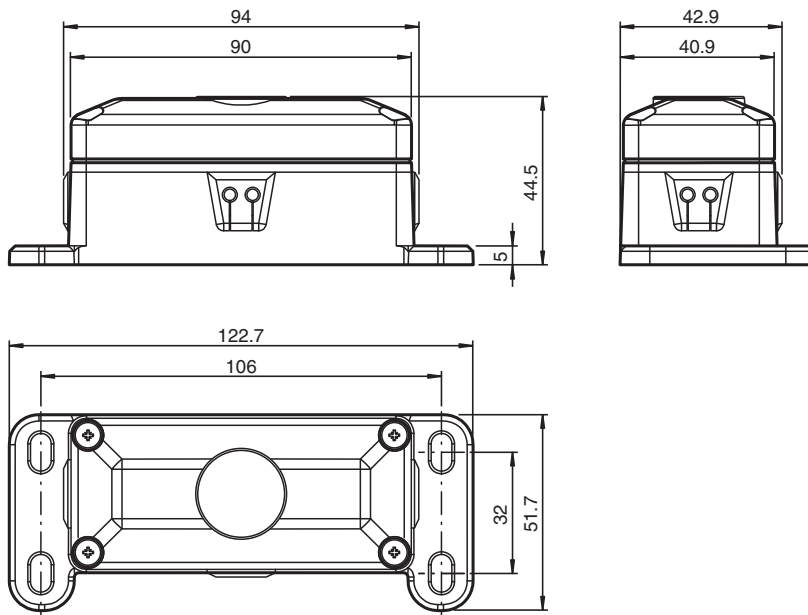


- Compact design
- Degree of protection IP65
- impact-resistant plastic
- compatible with GfA and MFZ

Junction box



Dimensions



Technical Data

General specifications

Marking CE

Mechanical specifications

Degree of protection	IP65
Connection	screw terminals , lead cross section 2 x 1 mm ²
Material	
Housing	PA 6 GF30 black or light gray
Mass	approx. 93 g
Dimensions	

Release date: 2024-07-03 Date of issue: 2024-07-08 Filename: 64314731_eng.pdf

Technical Data

Height	52 mm
Width	123 mm
Depth	45 mm

Release date: 2024-07-03 Date of issue: 2024-07-08 Filename: 64314731_eng.pdf