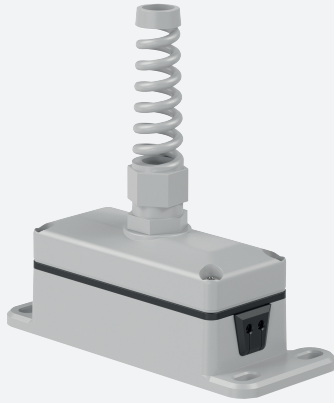


Junction box

LAD 2 / Modul 1

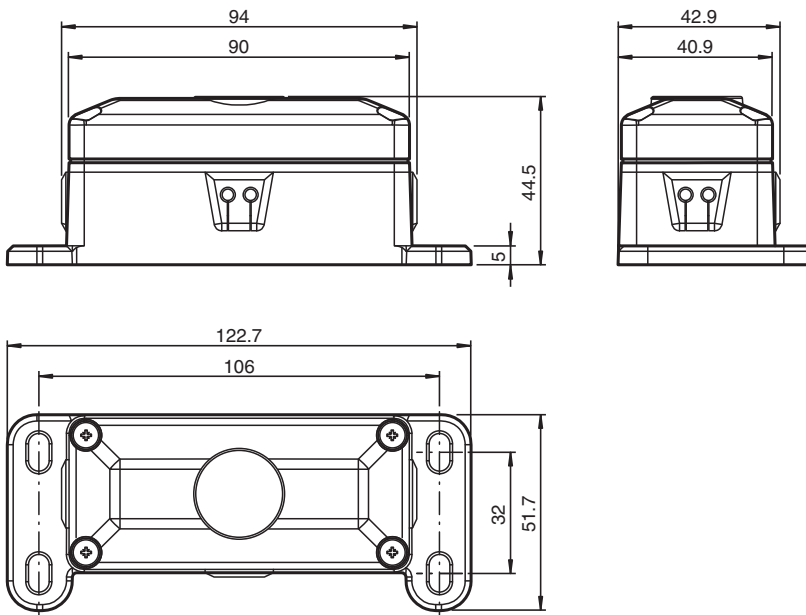


- Compact design
- Degree of protection IP65
- impact-resistant plastic
- MODULE 2 and 3 PCB can be installed

Junction box



Dimensions



Technical Data

General specifications

Marking CE

Mechanical specifications

Degree of protection	IP65
Connection	spring terminal, 5-pin, white
Material	
Housing	PA 6 GF30 black or light gray
Mass	approx. 100 g
Dimensions	

Release date: 2024-07-01 Date of issue: 2024-07-08 Filename: 64314782_eng.pdf

Technical Data

Height	52 mm
Width	123 mm
Depth	45 mm