



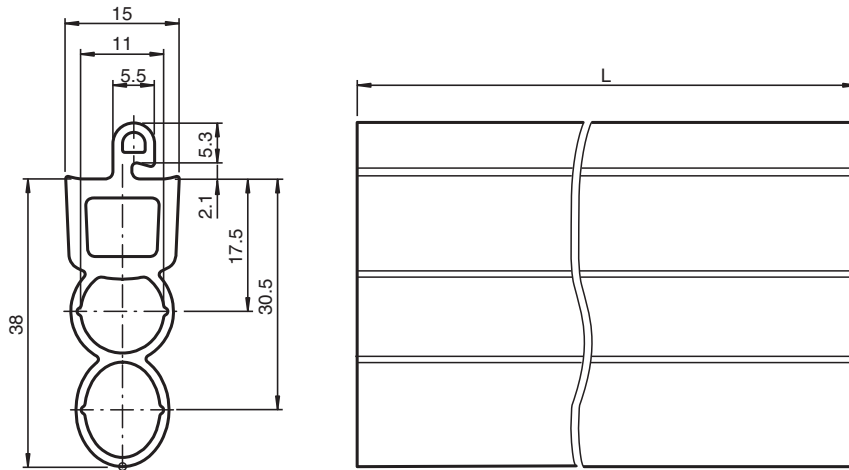
Rubber profile for safety edges

GP12/14-38-00

- Rubber profile
- Accessories for closing edge protection
- suitable for designs of $\varnothing 11-12$ mm
- Simple to customize to application
- Packaging unit: 50 m

Rubber profile for safety edges from the SIGNAL series

Dimensions



Technical Data

Mechanical specifications	
Material	EPDM (ethylene propylene diene rubber)
Mass	252 g / m
Dimensions	
Height	38 mm
Width	50 m
Depth	15 mm

Release date: 2024-07-04 Date of issue: 2024-07-08 Filename: 64314857_eng.pdf