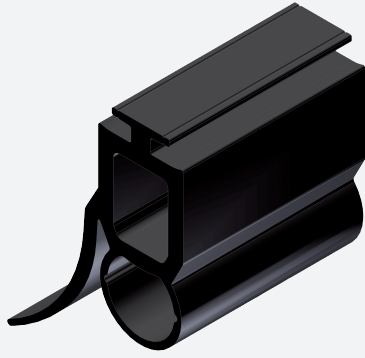


Rubber profile for safety edges

GP12/14-28

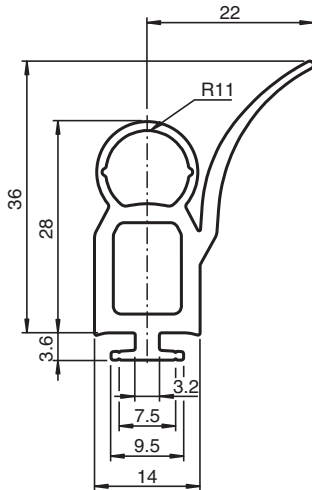


- Rubber profile
- Accessories for closing edge protection
- suitable for designs of $\varnothing 11-12$ mm
- Simple to customize to application
- Packaging unit: 50 m

Rubber profile for safety edges from the SIGNAL series



Dimensions



Technical Data

Mechanical specifications

Material	EPDM (ethylene propylene diene rubber)
Mass	320 g / m
Dimensions	
Height	36 mm
Width	50 m
Depth	14 mm

Release date: 2024-07-04 Date of issue: 2024-07-08 Filename: 64315285_eng.pdf