

# Junction box

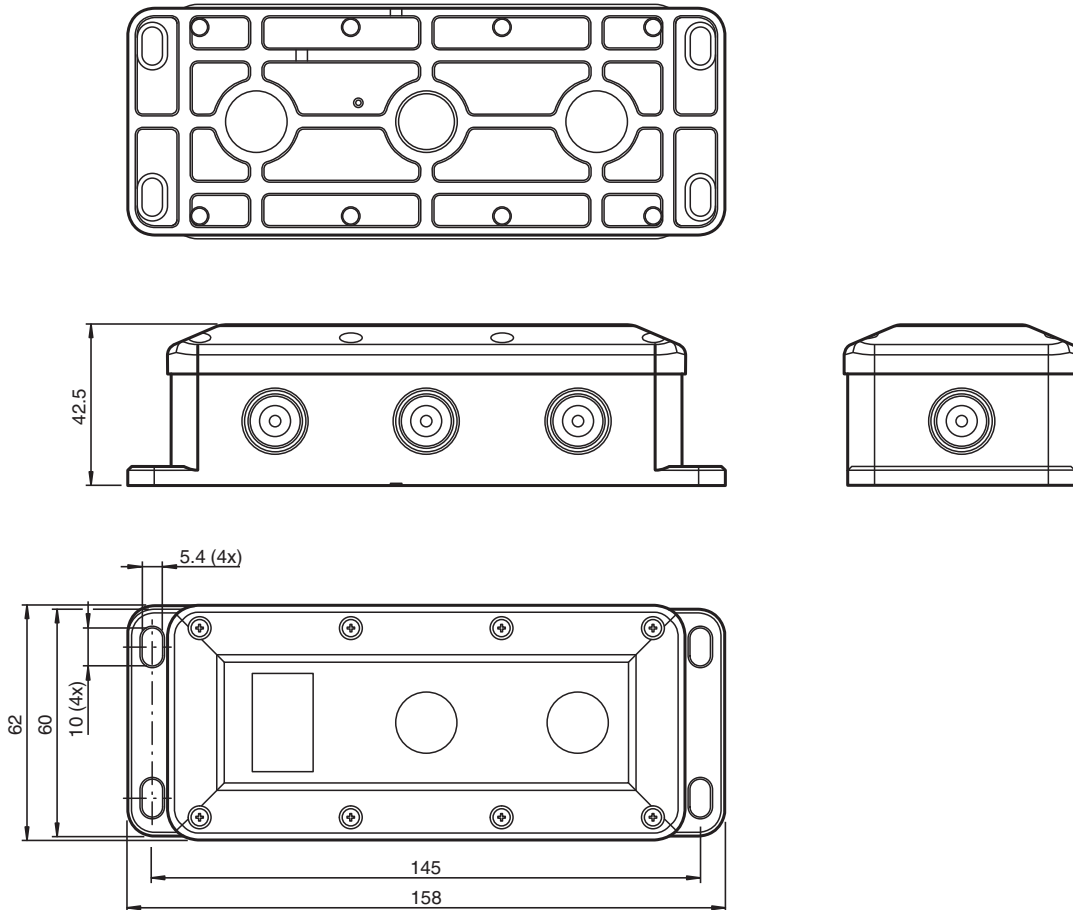
## LAD 4 / Modul 1

- large terminal compartment
- high degree of protection (IP66)
- impact-resistant plastic
- 90° cable outlet
- pre-formed cable glands

Junction box



### Dimensions



### Technical Data

General specifications	
Marking	CE
Mechanical specifications	
Degree of protection	IP66
Connection	spring terminal, 5-pin, white Cable cross section 2.5 mm <sup>2</sup>
Material	
Housing	PA 6 GF30 black or light gray

Release date: 2024-07-03 Date of issue: 2024-07-08 Filename: 64315300\_eng.pdf

**Technical Data**

Mass	approx. 180 g
Dimensions	
Height	62 mm
Width	158 mm
Depth	43 mm