

Junction box

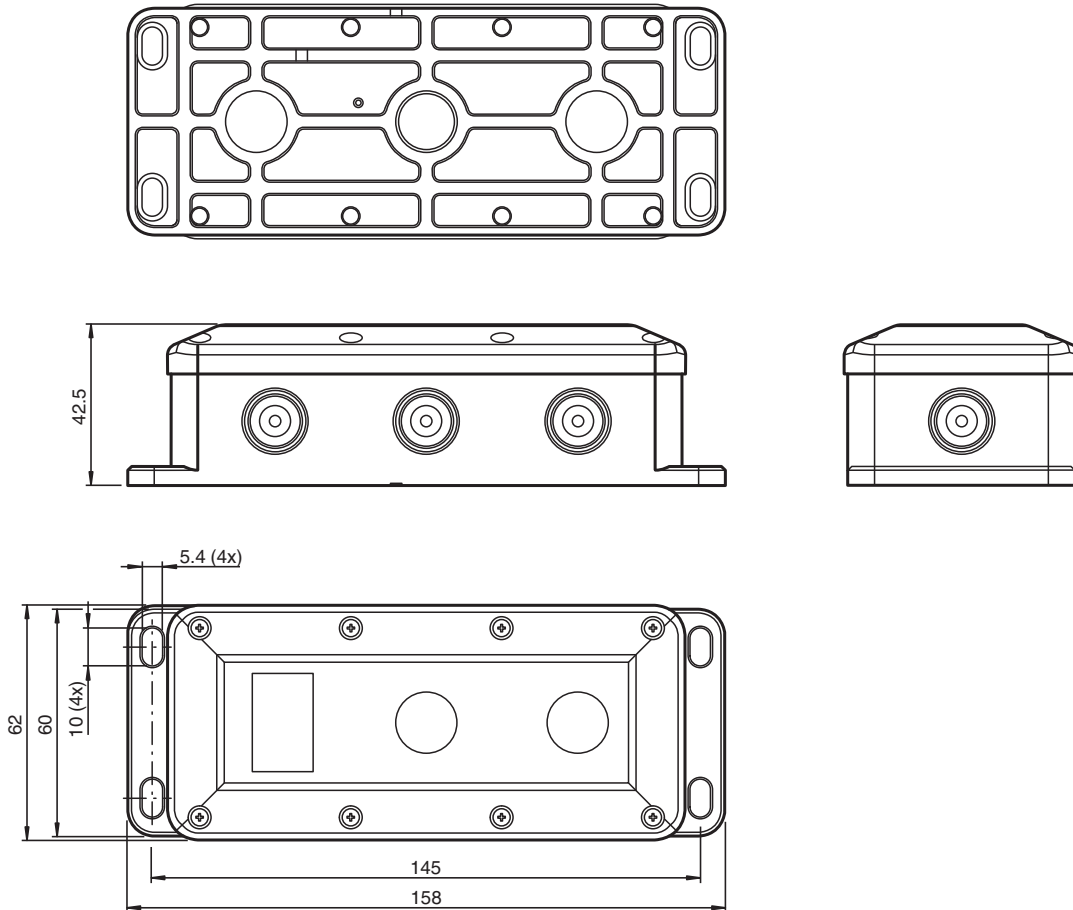
LAD 4G

- large terminal compartment
- high degree of protection (IP66)
- impact-resistant plastic
- closed cover
- pre-formed cable glands

Junction box



Dimensions



Technical Data

General specifications	
Marking	CE
Mechanical specifications	
Degree of protection	IP66
Connection	screw terminals , lead cross section 2 x 1 mm ²
Material	
Housing	PA 6 GF30 black or light gray

Release date: 2024-07-03 Date of issue: 2024-07-08 Filename: 64315397_eng.pdf

Technical Data

Mass	approx. 15 g
Dimensions	
Height	62 mm
Width	158 mm
Depth	44 mm