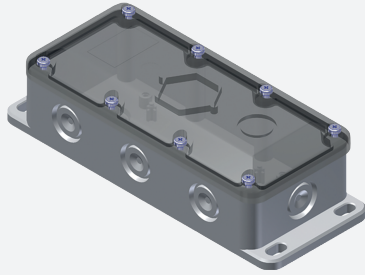


# Junction box

## LAD 4G / Modul 1

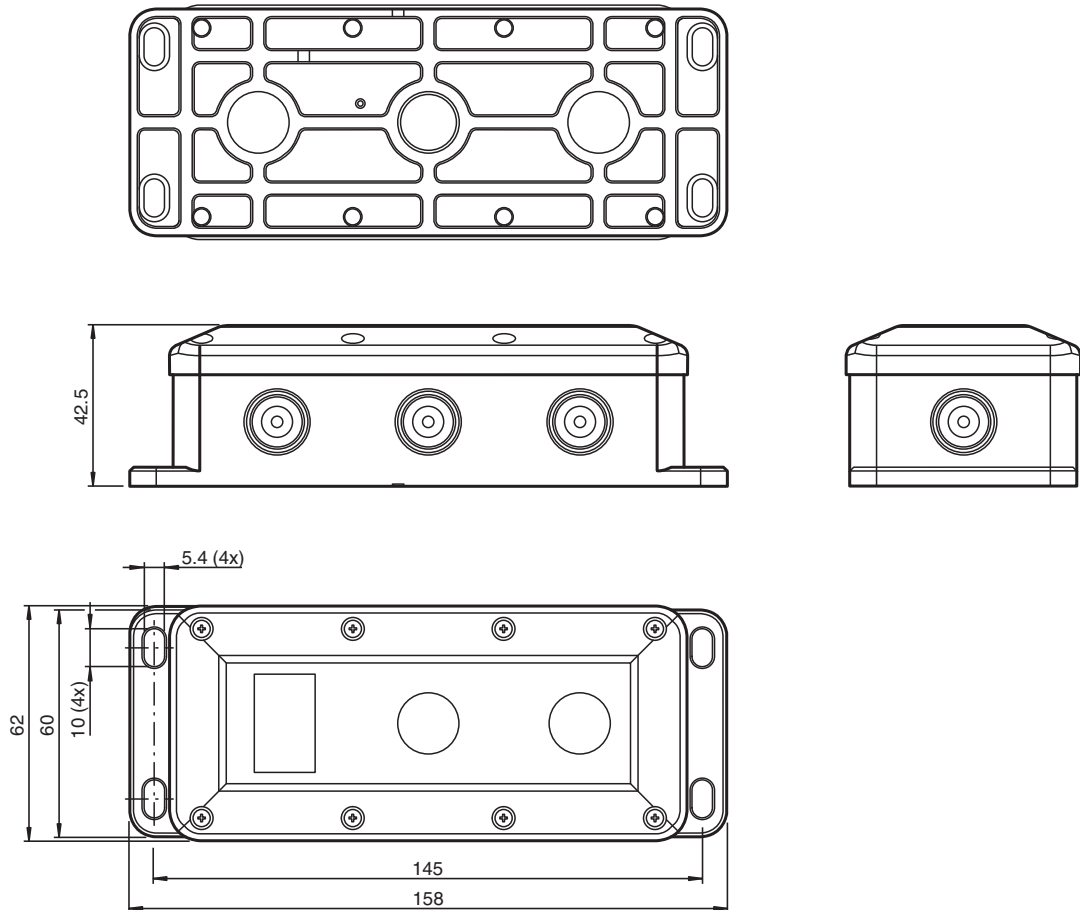


- large terminal compartment
- high degree of protection (IP66)
- impact-resistant plastic
- closed cover
- pre-formed cable glands

Junction box



### Dimensions



Release date: 2024-07-03 Date of issue: 2024-07-08 Filename: 64315398\_eng.pdf

### Technical Data

#### General specifications

Marking CE

#### Mechanical specifications

Degree of protection IP66

**Technical Data**

Connection	spring terminal, 5-pin, white Cable cross section 2.5 mm <sup>2</sup>
Material	
Housing	PA 6 GF30 black or light gray
Mass	approx. 180 g
Dimensions	
Height	62 mm
Width	158 mm
Depth	43 mm