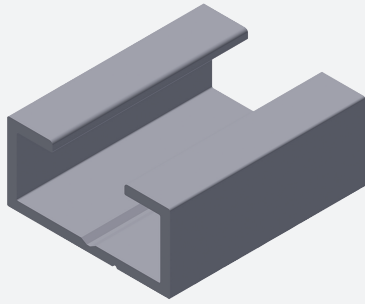


Extruded aluminum profile

ALU-C-25x12

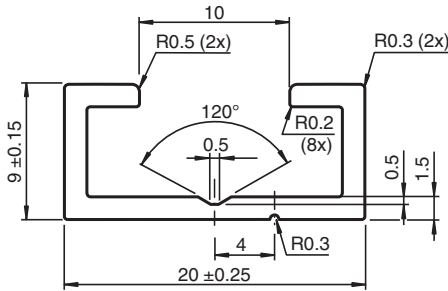


- Aluminum mounting strip
- Aluminum C profile with drilling line
- Accessories for closing edge protection
- For mounting GP series rubber profiles

Extruded aluminum profile



Dimensions



Technical Data

Mechanical specifications

Material	Aluminum
Mass	approx. 230 g
Dimensions	
Height	12 mm
Width	25 mm
Length	2 m

Release date: 2024-07-04 Date of issue: 2024-07-08 Filename: 64315461_eng.pdf