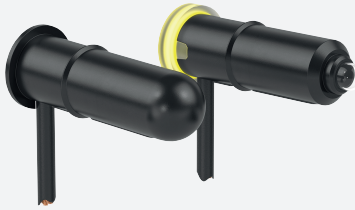
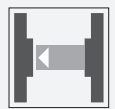


Safety edge

LOW-POWER-SIGNAL-12M-1/10,5Mol

WITTSensoric

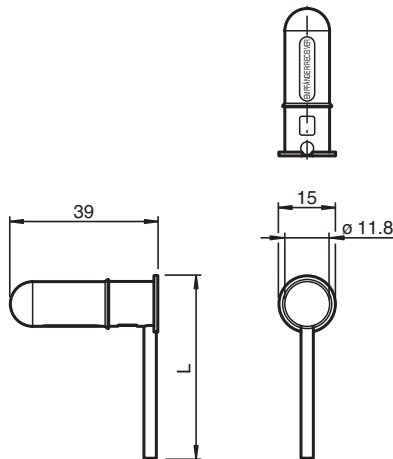


- Safety thru-beam sensor
- Modulated infrared light
- No additional mounting materials required
- For mounting GP series rubber profiles
- Comprehensive accessories

Safety edge



Dimensions



Technical Data

General specifications

Effective detection range	1 ... 12 m
Threshold detection range	12 m
Number of protective field beams	1
Light source	IRED
Light type	880 nm IR light pulsed
Marking	CE
Optical face	frontal
Ambient light limit	100000 Lux

Indicators/operating means

Operation indicator	LED yellow
Function indicator	LED yellow: constantly on - object detected constantly off - object not detected

Electrical specifications

Operating voltage	U_B	battery operated 3 ... 6 V DC Coiled Cable: 9 ... 27 V DC
Operating current	I_B	battery operated 1.6 mA coiled 3.8 mA

Release date: 2024-06-27 Date of issue: 2024-06-27 Filename: 64316397_eng.pdf

Technical Data

Output		
Output type		OSE
Switching type		light-on
Signal output		900 Hz , transistor output loadable with max. 20 mA, short-circuit protected
Energized/De-energized delay		typ. 100 ms
Conformity		
Functional safety		ISO 13849-1 , Cat. 2 PL d
Product standard		EN 61000-6-2, EN 61000-6-3 , EN 12978
Ambient conditions		
Ambient temperature		-25 ... 75 °C (-13 ... 167 °F)
Storage temperature		-25 ... 75 °C (-13 ... 167 °F)
Mechanical specifications		
Degree of protection		IP67 according to EN 60529 molded
Connection		PUR cable 0.14 mm ² 3 conductor , halogen-free
Material		
Housing		Emitter: black ABS / Receiver: Lexan (PC) , black
Mass		at 1 m Cable: 21 g at 10,5 m Cable: 155 g
Dimensions		
Length		39 mm
Diameter		12 mm