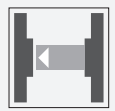




Safety thru-beam sensor INNO-SAFE-10M-E3-V31

WITT Sensoric

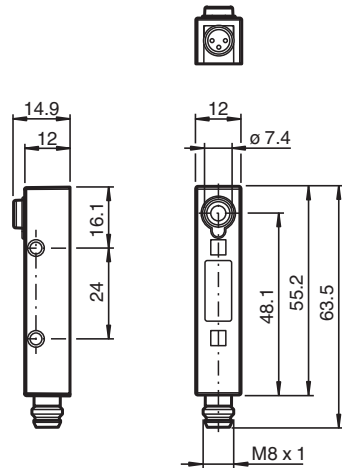


- Semiconductor output
- Test input
- Indicator LED in the viewing window
- high-quality connector
- High degree of protection (IP67), fully encapsulated
- Small size

Safety thru-beam sensor



Dimensions



Technical Data

System components

Emitter	INNO-SAFE-T
Receiver	INNO-SAFE-R

General specifications

Effective detection range	1 ... 10 m
Threshold detection range	14 m
Number of protective field beams	1
Light source	IRED
Light type	modulated infrared light 850 nm
Safety type according to IEC/EN 61496	4
Marking	CE
Diameter of the light spot	approx. 1.4 m at a distance of 10 m
Opening angle	$\pm 4^\circ$
Optical face	frontal
Ambient light limit	100000 Lux

Indicators/operating means

Release date: 2024-06-27 Date of issue: 2024-06-27 Filename: 64316402_eng.pdf

Technical Data

Operation indicator		Emitter: LED green
Function indicator		Emitter: LED green (off in test mode) Receiver: LED red, light with free light beam
Electrical specifications		
Operating voltage	U_B	10 ... 30 V DC
Operating current	I_B	Emitter: 25 mA Receiver: 20 mA
Power consumption	P_0	
Output		
Output type		PNP
Switching type		light-on
Signal output		max. 30 ... 40 mA
Short-circuit-proof		yes
Energized/De-energized delay		typ. 100 ms
Response time		≤ 2.2 ms
Conformity		
Functional safety		ISO 13849-1 , Cat. 2 PL d
Product standard		EN 61000-6-2, EN 61000-6-3 , EN 12978
Approvals and certificates		
Approvals		TÜV NORD
Ambient conditions		
Ambient temperature		-25 ... 55 °C (-13 ... 131 °F)
Storage temperature		-25 ... 75 °C (-13 ... 167 °F)
Relative humidity		max. 95 %, not condensing
Mechanical specifications		
Degree of protection		IP67 according to EN 60529
Connection		M8 connector
Material		
Housing		ABS impact resistant , V0 according UL94
Mass		per 12 g
Dimensions		
Height		48 mm
Width		12 mm
Depth		12 mm