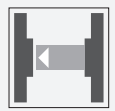




## Thru-beam sensor SLENDER-13M-E5-V31

WITTSensoric



- Single-beam monitoring with extremely narrow sensor
- Integrated circuit
- Test
- Simple installation - Plug & Play
- Ideal for installation in door profiles or frames
- Light on version

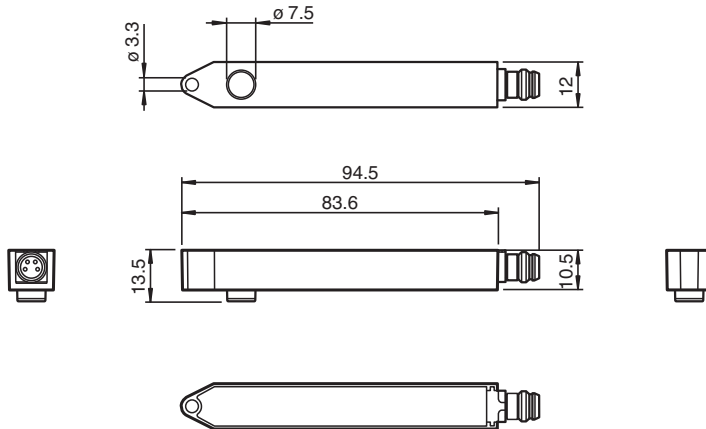
Single-beam miniature sensor, ideal for installing in frames or door profiles



### Application

- Person detection for automatic doors and gates
- Closing edge protection on sliding and revolving doors
- Threshold monitoring for elevator doors
- Step monitoring for doors on public transport vehicles
- Trigger function for restarting escalators

### Dimensions



### Technical Data

System components	
Emitter	SLENDER-T
Receiver	SLENDER-R
General specifications	
Effective detection range	0.5 ... 13 m
Threshold detection range	18 m
Number of protective field beams	1
Light source	IRED
Light type	modulated infrared light 950 nm
Marking	CE
Diameter of the light spot	approx. 4.8 m at a distance of 13 m

Release date: 2024-06-27 Date of issue: 2024-06-27 Filename: 64316409\_eng.pdf

## Technical Data

Opening angle		20 °
Optical face		frontal
Ambient light limit		100000 Lux
<b>Indicators/operating means</b>		
Operation indicator		Emitter: LED green
Function indicator		receiver LED green: Light beam is interrupted LED lights up red when output is active
<b>Electrical specifications</b>		
Operating voltage	$U_B$	10 ... 30 V DC
Operating current	$I_B$	Emitter: ≤ 25 mA Receiver: ≤ 10 mA
<b>Input</b>		
Test input		available
<b>Output</b>		
Output type		PNP
Switching type		light/dark on selectable programmable
Signal output		max. 200 mA
Switching voltage		max. 30 V DC
Short-circuit-proof		yes
Energized/De-energized delay		when the light beam is unobstructed again, the relay also switches 25 ms Delay
Response time		≤ 25 ms
<b>Conformity</b>		
Product standard		EN 61000-6-2, EN 61000-6-3
<b>Ambient conditions</b>		
Ambient temperature		-20 ... 60 °C (-4 ... 140 °F)
Storage temperature		-20 ... 75 °C (-4 ... 167 °F)
Relative humidity		90 % , noncondensing
<b>Mechanical specifications</b>		
Degree of protection		IP67 according to EN 60529
Connection		M8 connector, 4-pin
<b>Material</b>		
Housing		PC transparent
Mass		12 g
<b>Dimensions</b>		
Height		83 mm
Width		12 mm
Depth		12.5 mm

Release date: 2024-06-27 Date of issue: 2024-06-27 Filename: 64316409\_eng.pdf