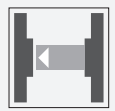




Thru-beam sensor INNO-COM-10M-E3-V31-SET

WITTSensoric

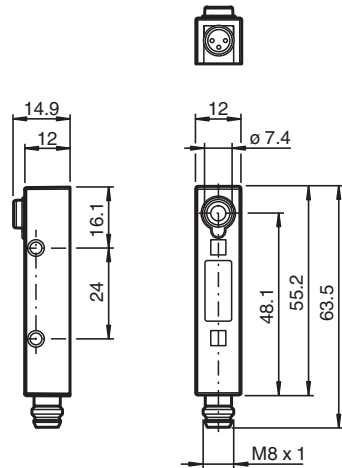


- Sensing range up to 10 m
- Self-monitoring (type 4 according to IEC/EN 61496-1)
- Red transmission light
- Clearly visible LED functional display and pre-fault indicator on the receiver
- Sturdy housing
- Operation on control units of SB4 (SafeBox)

INNO-COM thru-beam sensor



Dimensions



Technical Data

System components	
Emitter	INNO-SAFE-T
Receiver	INNO-SAFE-R
General specifications	
Effective detection range	0.5 ... 10 m
Threshold detection range	14 m
Number of protective field beams	1
Light source	IRED
Light type	modulated infrared light 850 nm
Safety type according to IEC/EN 61496	4
Marking	CE
Opening angle	± 4 °
Optical face	frontal
Ambient light limit	100000 Lux
Indicators/operating means	
Operation indicator	Emitter: LED green

Release date: 2024-02-14 Date of issue: 2024-02-15 Filename: 64316410_eng.pdf

Technical Data

Function indicator		Emitter: LED green (off in test mode) Receiver: LED red, light with free light beam
Electrical specifications		
Operating voltage	U_B	10 ... 30 V DC
Operating current	I_B	Emitter: 30 mA Receiver: 15 mA
Output		
Output type		PNP
Switching type		light-on
Signal output		max. 30 ... 40 mA
Short-circuit-proof		yes
Energized/De-energized delay		typ. 100 ms
Response time		$\leq 2,2$ ms
Conformity		
Product standard		EN 61000-6-2, EN 61000-6-3
Ambient conditions		
Ambient temperature		-25 ... 55 °C (-13 ... 131 °F)
Storage temperature		-25 ... 75 °C (-13 ... 167 °F)
Mechanical specifications		
Degree of protection		IP67 according to EN 60529
Connection		M8 connector, 4-pin
Material		
Housing		ABS impact resistant , V0 according UL94
Mass		per 12 g
Dimensions		
Height		48 mm
Width		12 mm
Depth		12 mm