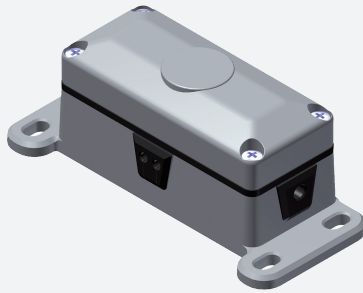


# Junction box

## LAD 2B

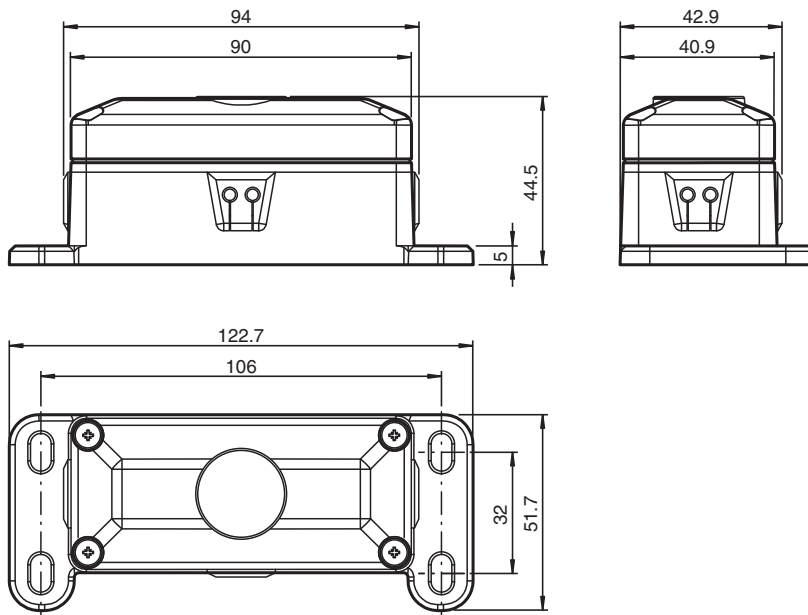


- Compact design
- Degree of protection IP65
- impact-resistant plastic
- MODULE 2 and 3 PCB can be installed

Junction box



### Dimensions



### Technical Data

#### General specifications

Marking CE

#### Mechanical specifications

Degree of protection	IP65
Connection	screw terminals , lead cross section 2 x 1 mm <sup>2</sup>
Material	
Housing	PA 6 GF30 black or light gray
Mass	approx. 86 g
Dimensions	

Release date: 2024-07-03 Date of issue: 2024-07-08 Filename: 64321903\_eng.pdf

**Technical Data**

Height	52 mm
Width	123 mm
Depth	45 mm