



Safety thru-beam sensor

TWIN-SAFE-20M-AR-13m-SET

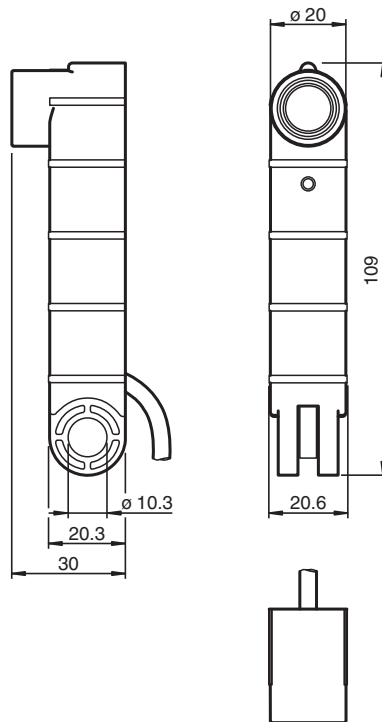
WITTSensoric



- Sturdy housing
- Sensing range 20 m
- Sleek design
- Simple alignment
- Indicator LED on the front



Dimensions



Technical Data

System components

Emitter	TWIN-SAFE-T
Receiver	TWIN-SAFE-R

General specifications

Effective detection range	1 ... 20 m
Threshold detection range	28 m
Number of protective field beams	1
Light source	IRED
Light type	modulated infrared light 850 nm
Safety type according to IEC/EN 61496	2

Release date: 2024-06-27 Date of issue: 2024-06-27 Filename: 64322373_eng.pdf

Technical Data

Marking		CE
Diameter of the light spot		approx. 1.1 m at a distance of 20 m
Opening angle		± 1.5 °
Optical face		frontal
Ambient light limit		100000 Lux
Indicators/operating means		
Operation indicator		emitter LED green: power on
Function indicator		Transmitter: flashes during test Receiver: LED green: Light beam unobstructed , LED red: Light beam is interrupted
Electrical specifications		
Operating voltage	U _B	10 ... 30 V DC
Operating current	I _B	Emitter: 20 mA Receiver: 30 mA
Output		
Output type		relay, change-over contact
Switching type		light-on
Switching voltage		max. 50 V AC/DC
Switching current		max. 0.6 A
Energized/De-energized delay		typ. 100 ms
Response time		≤ 20 ms
Conformity		
Functional safety		ISO 13849-1 , Cat. 2 PL c
Product standard		EN 61000-6-2, EN 61000-6-3 , EN 12978
Approvals and certificates		
Ambient conditions		
Ambient temperature		-25 ... 55 °C (-13 ... 131 °F)
Storage temperature		-25 ... 55 °C (-13 ... 131 °F)
Relative humidity		max. 95 %, not condensing
Mechanical specifications		
Degree of protection		IP67 according to EN 60529
Connection		fixed black cable Emitter: 0.25 mm ² , 3 conductor Receiver: 0.25 mm ² , 5-wire
Material		
Housing		PA6 with 30 % glass fiber content
Mass		approx. 500 g
Dimensions		
Height		108 mm
Width		20 mm
Depth		30 mm

Release date: 2024-06-27 Date of issue: 2024-06-27 Filename: 64322373_eng.pdf