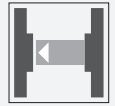




Thru-beam sensor BILIX 10-7M-SET

WITT Sensoric

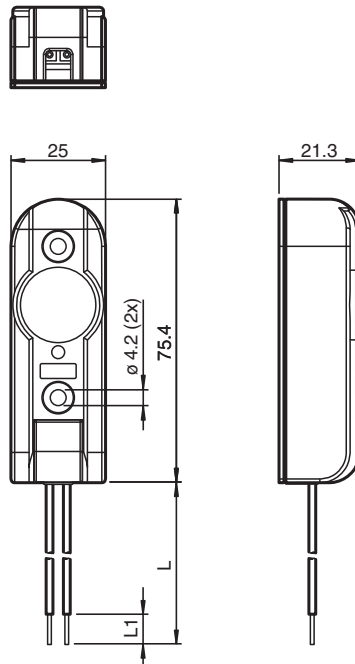


- Low space requirement and easy mounting in places with limited access
- 2-wire sensor
- conforms to UL-325 regarding ambient light test and swing test
- Contamination indicator

Thru-beam sensor



Dimensions



Technical Data

System components

Emitter	BILIX10-T.
Receiver	BILIX10-R.

General specifications

Effective detection range	1.5 ... 7 m
Threshold detection range	10 m
Number of protective field beams	1
Light source	IRED
Light type	infrared
Marking	CE

Release date: 2024-07-03 Date of issue: 2024-07-08 Filename: 64324449_eng.pdf

Technical Data

Opening angle		Emitter: approx. 15 ° Receiver: approx. 24 ° with daylight blocking filter
Optical face		frontal
Ambient light limit		100000 Lux
Indicators/operating means		
Operation indicator		Emitter: LED yellow lights up Receiver: LED yellow lights up
Function indicator		Emitter: LED yellow lights up when light beam is free LED red lit when the light beam is interrupted
Stability alarm indicator		Emitter: yellow LED flashes when visibility is poor (pollution indicator)
Electrical specifications		
Operating voltage	U_B	20 ... 28 V
Operating current	I_B	max. 20 mA at 24 V DC
Time delay before availability	t_v	< 350 ms
Output		
Output type		transistor output
Switching type		light-on
Signal output		2-wire, modulated output voltage, period = 3.05 ms, Tlow = 0.5 ms, saturation voltage < 3 V
Response time		Light beam unobstructed to light beam interrupted: 20 ms Light beam interrupted to light beam unobstructed: 100 ms
Load resistor	R_L	330 ... 470 Ω
Conformity		
Product standard		EN 61000-6-2, EN 61000-6-3
Ambient conditions		
Ambient temperature		-20 ... 60 °C (-4 ... 140 °F)
Storage temperature		-30 ... 75 °C (-22 ... 167 °F)
Mechanical specifications		
Degree of protection		IP50 in accordance with EN60529
Connection		screw terminals for max. 1.5 mm ²
Mass		23 g
Dimensions		
Height		75 mm
Width		25 mm
Depth		22 mm