

Cable Glands, Metal, Barrier Glands for armored Cables

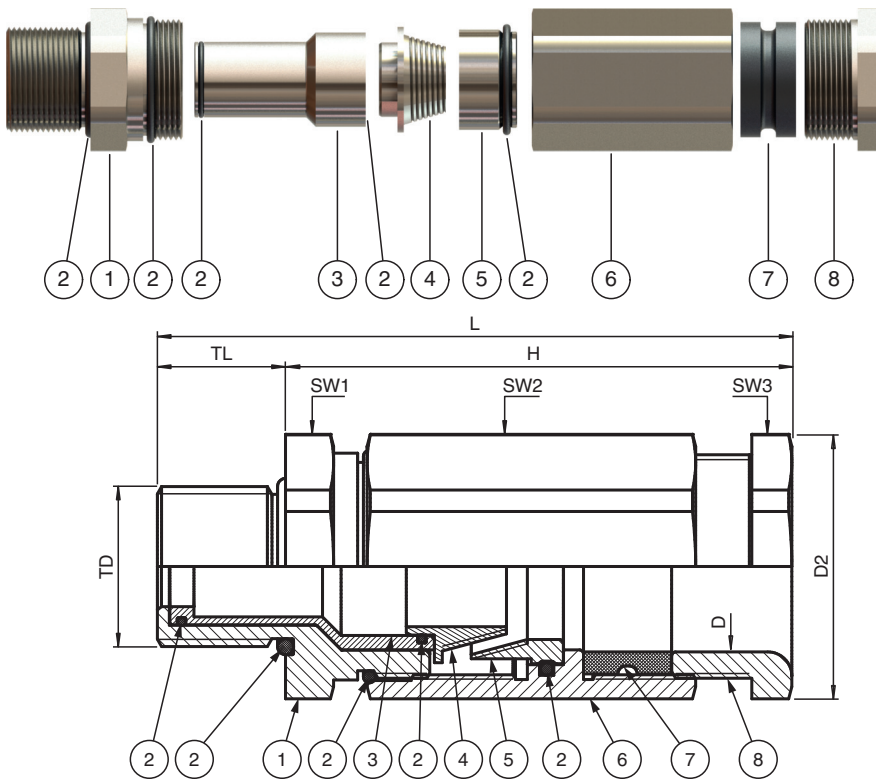
CG.BA.NPT2.SS.S.28.K02



- For armored cables
- Barrier gland
- Stainless Steel
- Thread NPT 2"
- Seal silicone
- Ex db, Ex eb and Ex tb certified
- Suitable for operation in Zone 1, Zone 2, Zone 21 and Zone 22
- Packaging unit: 2 pieces, without accessories
- USA usage prohibited!



Dimensions



Release date: 2025-05-19 Date of issue: 2025-05-19 Filename: 70100427_eng.pdf

Dimensions

Details see data table

| Legend | |
|--------|--|
| 1 | Gland body basis |
| 2 | O-Ring |
| 3 | Barrier tube |
| 4 | Armor cone (CG.BA.*) |
| 5 | Swifel braid ring (CG.BA.*) |
| 6 | Gland body |
| 7 | Seal insert |
| 8 | Pressure nut |
| 9 | Barrier pressure ring bushing (CG.BN.*) |
| | |
| D | Clamping range, cable sheath diameter |
| D2 | Width across corners |
| H | Length outside enclosure |
| L | Total length |
| SW* | Width across flats |
| TD | Thread size |
| TL | Thread length |
| | |
| | Barrier details in data table |
| CQ | Max. number of cores |
| DS | Core cross-section, single-core cable |
| DM | Total core cross-section, multi-core cable |
| CC | Max. total core cross-section area |

Technical Data

Mechanical specifications

| | |
|--|--|
| Cable type | armored cables |
| Clamping range (D) | 35 ... 48 mm |
| Thread type | NPT ANSI ASME B1.20.1 |
| Thread size (TD) | NPT 2" |
| Degree of protection | IP66 / IP68 |
| Material | |
| Finish | inherent color silver |
| Cable gland | stainless steel |
| O-Ring | silicone |
| Seal insert | silicone |
| Casting compound | |
| Description | EP 2122 Epoxy Putty Compound must be ordered separately |
| Part number | 70101827 |
| Mass | 60 g |
| Required amount per cable gland | 90 g |
| Packaging units per delivery quantity cable glands | 3 |
| Cable glands per packaging unit casting compound | 0.67 |
| Mass | |
| Individual component | approx. 1.02 kg |

Release date: 2025-05-19 Date of issue: 2025-05-19 Filename: 70100427_eng.pdf

Technical Data

| | |
|--|--|
| Packing unit | approx. 2.32 kg |
| Dimensions | |
| Width across corners (D2) | 72 mm |
| Min. armor thickness | 1 mm |
| Max. armor thickness | 2.5 mm |
| Min. braiding thickness | 0.4 mm |
| Max. braiding thickness | 1 mm |
| Diameter thru-hole (DT) | 60.4 ... 60.7 mm |
| Number of cores (CQ) | max. 75 |
| Core cross section, single-core cable (DS) | 1.5 ... 37 mm |
| Total core cross section, multi-core cables (DM) | 1.5 ... 37 mm |
| Total core cross section area (CC) | max. 1075.2 mm ² |
| Length outside enclosure (H) | 88.5 mm |
| Width across flats (SW1) | 65 mm |
| Width across flats (SW2) | 58 mm |
| Width across flats (SW3) | 58 mm |
| Thread length (TL) | 28 mm |
| Total length (L) | 116.3 mm |
| Tightening torque | |
| Nut torque at enclosure (SW1) | 90 Nm |
| Nut torque 2 (SW2) | 90 Nm |
| Nut torque 3 (SW3) | 75 Nm |
| Ambient conditions | |
| Ambient temperature | -60 ... 100 °C (-76 ... 212 °F) |
| Data for application in connection with hazardous areas | |
| EU-type examination certificate | CESI 18 ATEX 037X |
| Marking | Ⓜ II 2 GD Ex db IIC Gb Ex eb IIC Gb Ex tb IIIC Db |
| International approvals | |
| IECEx approval | IECEx CES 18.0030X |
| UKCA approval | CML 22 UKEX 1268X |
| CCC approval | 2021312313000454 |
| Conformity | |
| Degree of protection | EN 60529 |
| CE marking | 0102 |
| General information | |
| Delivery quantity | 2 |
| Scope of delivery | Cable gland pair of gloves Brief instructions (1 copy) |
| Supplementary information | EC-Type Examination Certificate, Statement of Conformity, Declaration of Conformity, Attestation of Conformity and instructions have to be observed where applicable. For information see www.pepperl-fuchs.com . |

Release date: 2025-05-19 Date of issue: 2025-05-19 Filename: 70100427_eng.pdf