

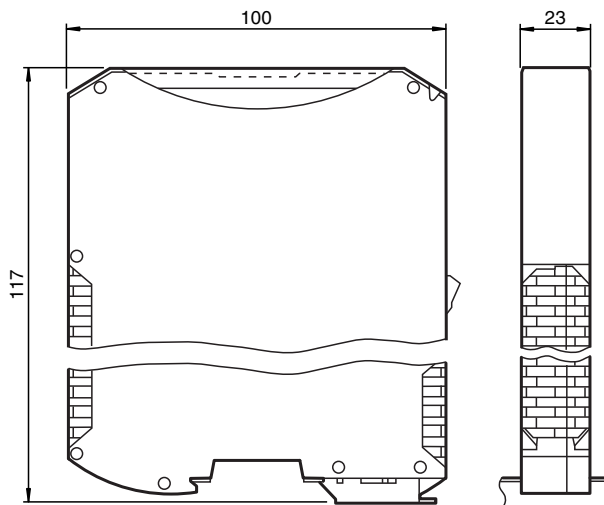
WCS interface module WCS-PG410

- Up to 4 read heads can be connected
- DIN rail mounting
- Integrated switch
- PROFIBUS interface
- Measuring length max. 629 m

WCS Profibus interface module



Dimensions



Technical Data

General specifications

Installation DIN rail mounting

Functional safety related parameters

MTTF_d 180 a
Mission Time (T_M) 10 a
Diagnostic Coverage (DC) 0 %

Electrical specifications

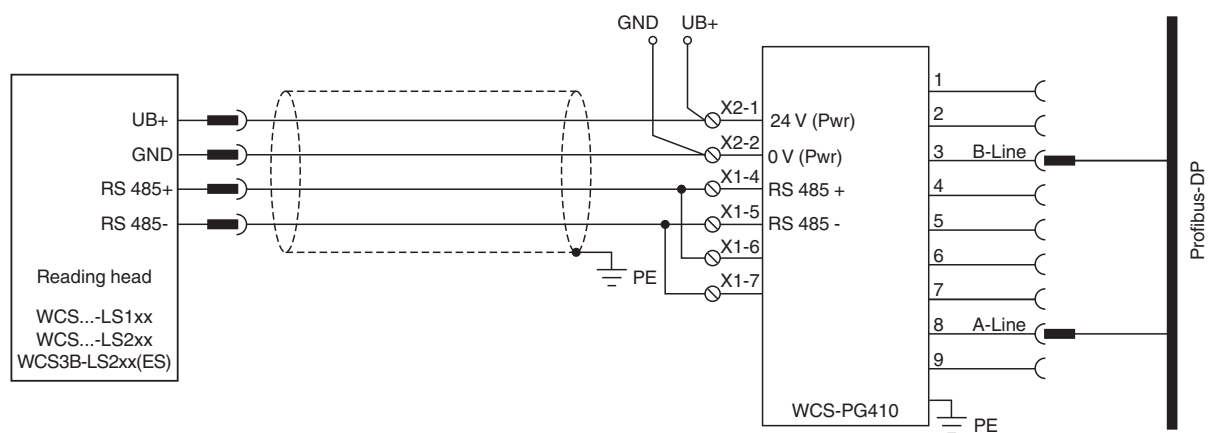
Operating voltage U_B 10 ... 30 V DC
Power consumption P₀ ≤ 3.6 W (without read heads)

Interface 1

Technical Data

| | |
|-----------------------------------|---|
| Connection of | control system |
| Interface type | PROFIBUS DP V1 |
| Transfer rate | max. 12 MBit/s , Automatic baud rate detection |
| Data output format | binary code |
| Bus termination resistor | switchable |
| Interface 2 | |
| Connection of | WCS read heads |
| Connectable read heads | WCS...-LS121 , WCS...-LS221 , WCS3B-LS1/2**ES with option ES (Extended Protocol up to 628 m) |
| Interface type | RS-485 |
| Transmission method | half duplex |
| Transfer rate | 62.5 kBit/s |
| RS485 termination resistor | switchable |
| Refresh cycle of read head | 1 ms / 10 ms (with extended WCS read head) |
| Standard conformity | |
| Emitted interference | EN 55011, cl. A: 2007 |
| Noise immunity | EN 61000-6-2:2005 |
| Approvals and certificates | |
| CCC approval | CCC approval / marking not required for products rated ≤36 V |
| Ambient conditions | |
| Operating temperature | -40 ... 85 °C (-40 ... 185 °F) , no moisture condensation |
| Storage temperature | -40 ... 85 °C (-40 ... 185 °F) |
| Relative humidity | ≤ 80 % |
| Mechanical specifications | |
| Connection type | Interface 1: 9-pin Sub-D connector Interface 2: terminal connection ≤ 2.5 mm ² Interface 3: Terminal connection, 2-pin |
| Housing width | 23 mm |
| Housing height | 111 mm |
| Housing depth | 117 mm |
| Degree of protection | IP20 |
| Material | plastic |
| Installation position | any position |
| Mass | approx. 130 g |

Connection



Release date: 2023-12-15 Date of issue: 2023-12-15 Filename: 70100861_eng.pdf