

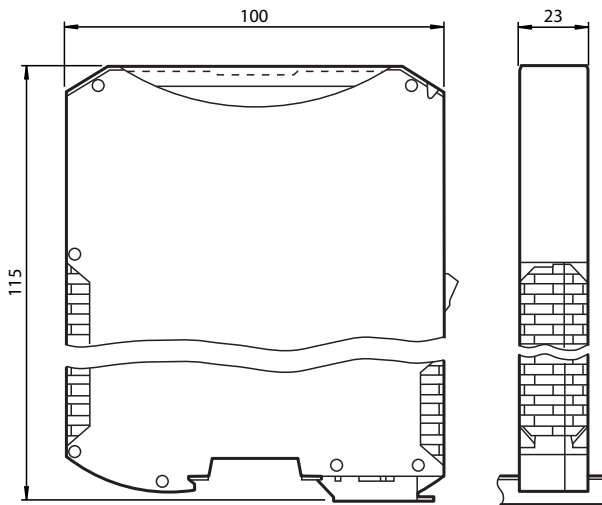
## WCS interface module WCS-ECG410

- Up to 4 read heads can be connected
- DIN rail mounting
- Integrated switch
- EtherCAT interface
- Measuring length max. 629 m
- Max. measurement length 629 m

WCS interface module with EtherCAT interface



### Dimensions



### Technical Data

#### General specifications

Installation DIN rail mounting

#### Functional safety related parameters

MTTF<sub>d</sub> 180 a

Mission Time (T<sub>M</sub>) 10 a

Diagnostic Coverage (DC) 0 %

#### Electrical specifications

Operating voltage U<sub>B</sub> 10 ... 30 V DC

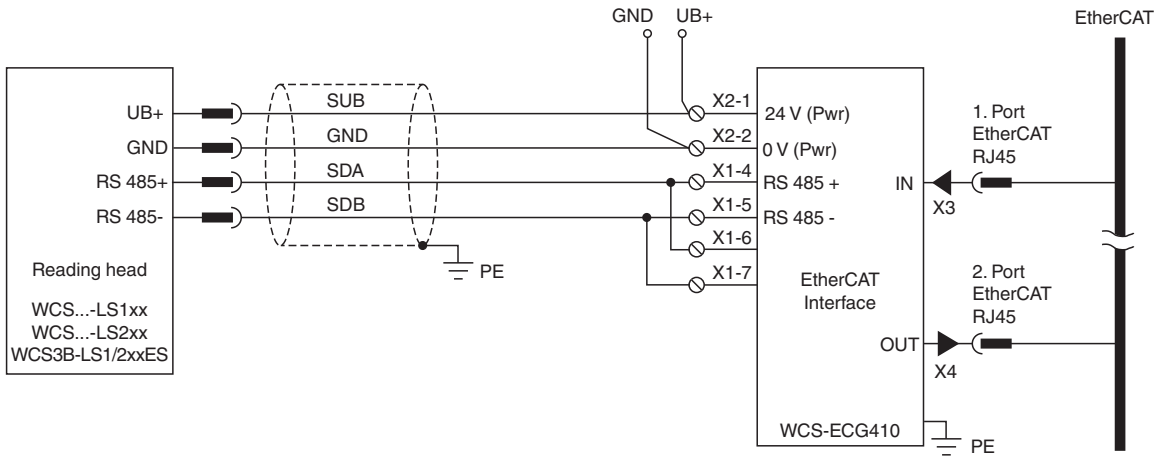
Power consumption P<sub>0</sub> ≤ 3.6 W (without read heads)

#### Interface 1

## Technical Data

Connection of	control system
Interface type	Ethernet; 100 BASE-TX
Protocol	EtherCAT®
Transfer rate	100 MBit/s
Data output format	binary code
<b>Interface 2</b>	
Connection of	control system
Interface type	Ethernet; 100 BASE-TX
Protocol	EtherCAT®
Transfer rate	100 MBit/s
Data output format	binary code
<b>Interface 3</b>	
Connection of	WCS read heads
Connectable read heads	WCS...-LS121 , WCS...-LS221 , WCS3B-LS1/2**ES with option ES (Extended Protocol up to 628 m)
Interface type	RS-485
Protocol	half duplex
Transfer rate	62.5 kBit/s
RS485 termination resistor	switchable
Refresh cycle of read head	1 ms / 10 ms (with extended WCS read head)
<b>Standard conformity</b>	
Emitted interference	EN 55011, cl. A: 2007
Noise immunity	EN 61000-6-2:2005
<b>Approvals and certificates</b>	
CCC approval	CCC approval / marking not required for products rated ≤36 V
<b>Ambient conditions</b>	
Operating temperature	-25 ... 85 °C (-13 ... 185 °F) , no moisture condensation
Storage temperature	-40 ... 85 °C (-40 ... 185 °F)
Relative humidity	≤ 80 %
<b>Mechanical specifications</b>	
Connection type	Interface 1 & 2: RJ-45 socket, 8-pin Interface 3: terminal connection ≤ 2.5 mm <sup>2</sup> Interface 4: Terminal connection, 2-pin
Housing width	23 mm
Housing height	111 mm
Housing depth	115 mm
Degree of protection	IP20
Material	plastic
Installation position	any position
Mass	approx. 130 g

Connection



Release date: 2023-12-15 Date of issue: 2023-12-15 Filename: 70100890\_eng.pdf