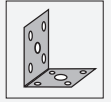


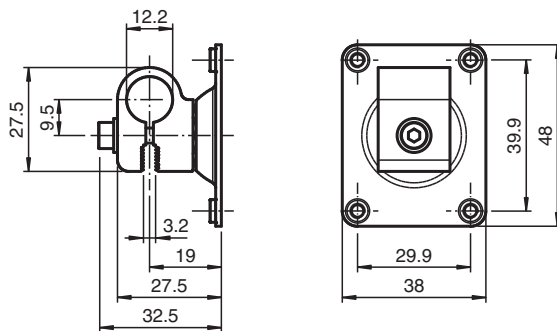
## Mounting aid OMH-R200-01

- Bracket for round steel or sheet
- Simple and fast mounting



Mounting aid for round steel  $\varnothing$  12 mm or sheet 1.5 mm ... 3 mm

### Dimensions



### Technical Data

#### Mechanical specifications

Material	Aluminum Metal sheet (steel), zinc-plated
Screwed connection	Screws for assembly included
Mass	approx. 60 g
Note	Infinitely adjustable on all axes
<b>Suitable series</b>	
Series	R200 series

Release date: 2020-05-04 Date of issue: 2020-06-30 Filename: 70100995\_eng.pdf