

Switch Disconnecter Ex e 40 A 4 Pole, GRP Enclosure

DIS.P.040.3PN.GR

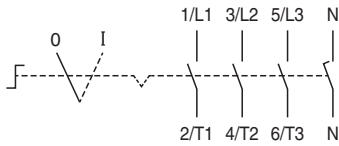


- Switch disconnecter, 2 position with left OFF - 4x NO
- Labeling '0 - I'
- Carbon loaded, antistatic glass-fiber reinforced polyester
- Installation in Zone 1, Zone 2, Zone 21 and Zone 22
- Bottom face cable glands polyamide, 2x M32 1x M20
- Ex db eb and Ex tb certified
- Padlockable switch
- Degree of protection: IP 65

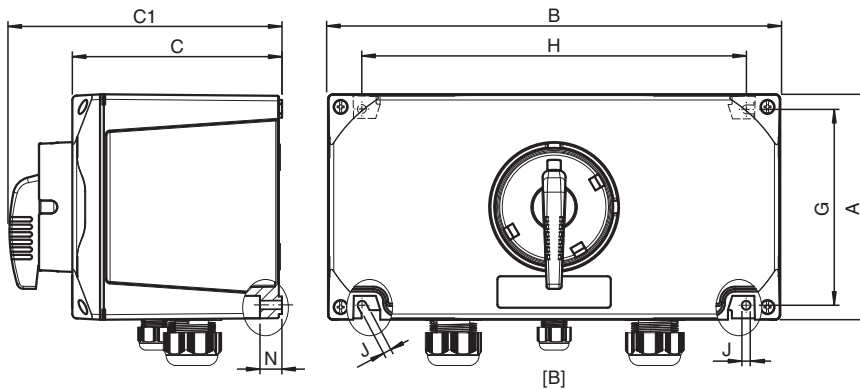


Connection

	1/L1	3/L2	5/L3	N
0				
I	X	X	X	X
	2/T1	4/T2	6/T3	N



Dimensions



Release date: 2023-10-19 Date of issue: 2023-10-19 Filename: 70101164_eng.pdf

Dimensions

Dimension values see data table.

Image and drawing are generic for this device type and may deviate from the specific variant.

Legend	
A	Height
B	Width
C	Depth
C1	Depth with operating element
G	Mounting holes distance, vertical
H	Mounting holes distance, horizontal
J	Mounting holes diameter
N	Thickness of mounting brackets
[B]	Cable entry face

Technical Data

Electrical specifications

Operating voltage	690 V max.
Rated impulse withstand voltage	6 kV
Rated frequency	50/60 Hz
Short circuit current limitation	recommended: 63 A, gG
Operating current	40 A max.
Terminal capacity	
Main terminals capacity	2x 6 ... 10 mm ²
Main terminals torque	3.5 Nm
Grounding terminals capacity	2x 6 ... 10 mm ²
Grounding terminals torque	3.5 Nm
Rated insulation voltage	800 V
Function	switch disconnecter
Color	black
Contact configuration	4x NO
Switching configuration	2 position with left OFF
Usage category	AC23: 690 V AC - 32 A / 500 V AC - 40 A / 400 V AC - 40 A AC3: 690 V AC - 32 A / 500 V AC - 40 A / 400 V AC - 40 A
Number of poles	4
Operator action	engage - engage
Lockable	in 'OFF' position threefold padlockable
Labeling	0 - I

Mechanical specifications

Enclosure range	GR
Enclosure cover	fully detachable
Cover fixing	
Screws	M6 stainless steel combination Phillips and slotted screw
Number	4
Tightening torque	3.5 Nm
Cover seal	foamed silicone
Degree of protection	IP65
Cable entry face B	
M20 quantity	1
M20 series	Cable Glands, Plastic
M20 type	CG.PEDS1.M20.*
M20 clamping range	6 ... 12 mm
M32 quantity	2

Release date: 2023-10-19 Date of issue: 2023-10-19 Filename: 70101164_eng.pdf

Technical Data

M32 series	Cable Glands, Plastic
M32 type	CG.PEDS1.M32L.*
M32 clamping range	14 ... 24 mm
Defined entry area	face B
Material	
Enclosure	carbon loaded, antistatic glass-fiber reinforced polyester (GRP)
Finish	inherent color black
Mass	4.85 kg
Dimensions	
Height (A)	179 mm
Width (B)	359 mm
Depth (C)	166.5 mm
External dimension with operating element (C1)	216.5 mm
Mounting holes distance (G)	156 mm
Mounting holes distance (H)	336 mm
Mounting holes diameter (J)	7 mm
Thickness of mounting brackets (N)	18 mm
Tightening torque	
Nut torque at enclosure (SW1)	see datasheets of cable glands
Mounting	4 screws
Ambient conditions	
Ambient temperature	-40 ... 55 °C (-40 ... 131 °F) @ T4
Data for application in connection with hazardous areas	
EU-type examination certificate	CML 16 ATEX 3009X
Marking	⊕ II 2 GD Ex db eb IIC T* Gb Ex tb IIIC T** °C Db T4/T130 °C @ Ta +55 °C
International approvals	
IECEX approval	IECEX CML 16.0008X
UKCA approval	CML 22 UKEX 2550X
Further approvals	further on request
Conformity	
Degree of protection	EN 60529
Usage category	IEC / EN 60947
CE marking	0080 or 0102, see type label
General information	
Supplementary information	EC-Type Examination Certificate, Statement of Conformity, Declaration of Conformity, Attestation of Conformity and instructions have to be observed where applicable. For information see www.pepperl-fuchs.com .