

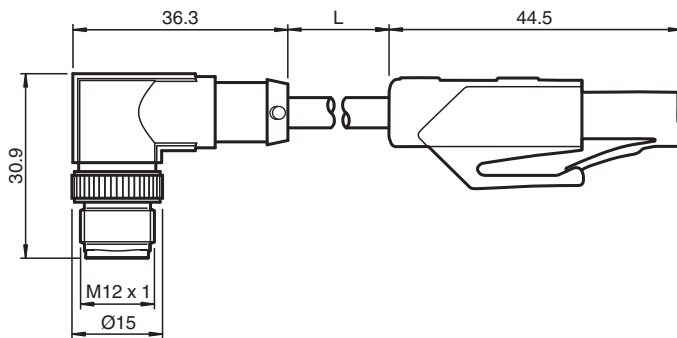
Connection cable, Ethernet V1SD-W-100M-PUR-ABG-V45-G

- Hard-wearing PUR cable
- Industrial Ethernet
- D coding for Ethernet
- CAT5/CAT5e cable
- Free of paint wetting interfering substances
- Halogen-free
- Screw connection suitable for tool assembly
- Immunity to vibration, with mechanical latching

Ethernet bus cable M12 plug angled D-coded to RJ45 Ethernet-coded, 4-pin, PUR cable blue, Cat5e, shielded



Dimensions



Technical Data

General specifications

| | | | |
|----------------------------------|-------|------------------------|--|
| Connector 1 | | | |
| Connection | | plug | |
| Construction type | | M12 | |
| Style | | angled | |
| Locking | | screw connection | |
| Number of pins | | 4 | |
| Coding | | D-coded | |
| Connector 2 | | | |
| Connection | | plug | |
| Construction type | | RJ45 | |
| Style | | straight | |
| Locking | | snap locking | |
| Number of pins | | 8 | |
| Electrical specifications | | | |
| Operating voltage | U_B | max. 48 V AC / 60 V DC | |
| Operating current | I_B | max. 1 A | |
| Conformity | | | |
| Degree of protection | | EN 60529 | |

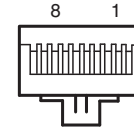
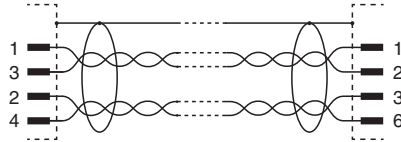
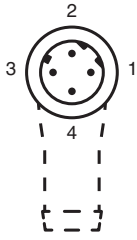
Release date: 2023-07-12 Date of issue: 2023-07-13 Filename: 70101609_eng.pdf

Technical Data

| | | |
|----------------------------------|---|--|
| Plug connection | | connector M12 x 1 : IEC 61076-2-101 connector RJ45 : IEC 60603-7 |
| Component category | | CAT5 (IEC 11801) , CAT5e (IEC 61156-6) |
| Flammability | | IEC 60332-1-2 / UL 2556 |
| Halogen-free | | IEC 60754-1 |
| Ambient conditions | | |
| Ambient temperature | | |
| Connector 1 | | -25 ... 90 °C (-13 ... 194 °F) |
| Connector 2 | | -25 ... 60 °C (-13 ... 140 °F) |
| Cable, fixed | | -40 ... 80 °C (-40 ... 176 °F) |
| Cable, flexing | | -20 ... 80 °C (-4 ... 176 °F) |
| Mechanical specifications | | |
| Connector 1 | | |
| Tightening torque | | 0.4 Nm |
| Loosening protection | | available |
| Tool installation | | straight knurling |
| Mating cycles | | min. 100 |
| Shielding | | shield connected to screw connection |
| Degree of protection | | IP65/IP67 |
| Connector 2 | | |
| Loosening protection | | available |
| Mating cycles | | min. 750 |
| Shielding | | shield connected to connector |
| Degree of protection | | IP20 |
| Cable | | |
| Sheath diameter | | 6.4 mm |
| Bending radius | | > 8 x cable diameter, moving > 4 x cable diameter, fixed |
| Sheath color | | water blue (RAL 5021) |
| Number of cores | | 4 |
| Core cross section | | 0.14 mm ² |
| Cores color | | Core 1-1: white/orange Core 2-3: white/green Core 3-2: orange Core 4-6: green |
| Core construction | | 7 x 0.16 mm Ø twisted pairs |
| Shield | | aluminum-lined polyester foil Tinned copper braiding, 70 % coverage |
| Length | L | 100 m |
| Material | | |
| PWIS free | | yes |
| Halogen-free | | yes |
| Connector 1 | | |
| Screw connection | | Zinc diecast, nickel-plated |
| Body | | TPU, black |
| Contact surface | | Ni/Au |
| Flammability | | V-2 |
| Connector 2 | | |
| Body | | PA, grey |
| Contact surface | | Ni/Au |
| Flammability | | V-0 |
| Cable | | |
| Sheathing | | PUR |
| Core insulation | | PE |
| Flammability | | VW-1 |

Release date: 2023-07-12 Date of issue: 2023-07-13 Filename: 70101609_eng.pdf

Connection



Accessories

| | | |
|---|------------------------------|--|
|  | MH V1-SCREWDRIVER | Torque screwdriver (0.6 Nm) |
|  | MH V1-BIT M12 | plug-in cap M12 |
|  | V1/V3-LABELHOLDER | Label holder |
|  | V1/V3-LABEL | Label plate |
|  | MH V1-Holder | Modular universal holder for M12 connectors |
|  | V1-CLIP | Unlocking protector for M12 connector |
|  | V1-MARKING-RING-COLOR | Marking rings for M12 connectors, various colors |