

# Insulation Spacer

## M-LB-2800

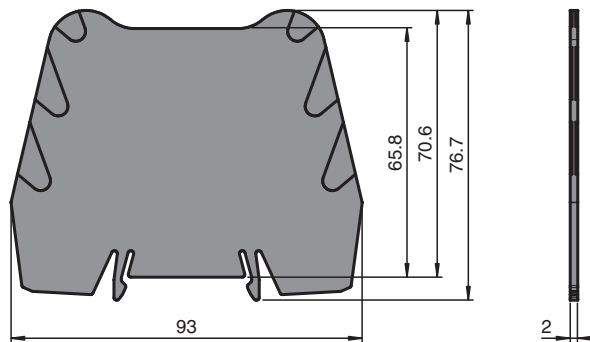
- For surge protection system M-LB-2000
- Color black
- DIN rail mountable

Insulation spacer for surge protection system M-LB-2000

### Function

The component is used to terminate terminal sections or to separate individual terminal sections from each other. The component is mounted on a 35 mm DIN mounting rail according to EN 60715.

### Dimensions



### Technical Data

#### Ambient conditions

Ambient temperature	-40 ... 80 °C (-40 ... 176 °F)
Storage temperature	-40 ... 85 °C (-40 ... 185 °F)
Relative humidity	max. 95 % , without condensation

#### Mechanical specifications

Material	Polyamide (PA)
Mass	approx. 40 g
Dimensions	2 x 93 x 77 mm (0.08 x 3.7 x 3 inch) (W x H x D)
Mounting	on 35 mm DIN mounting rail acc. to EN 60715:2001