

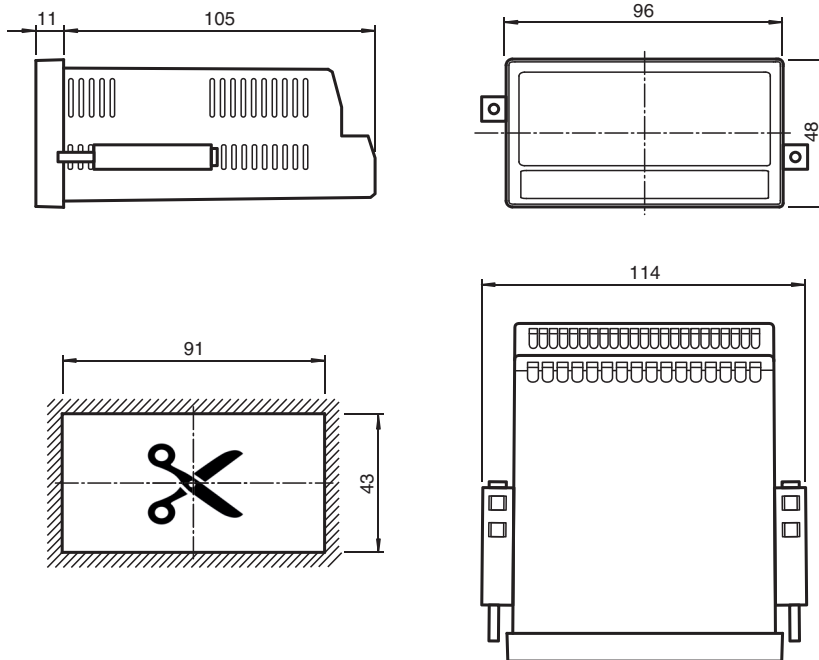


Counter/Timer/Tachometer TC-LCDC-8A-24VDC

- Multifunction device with operating modes such as rev counter, other counters, throughput time display, position display, timer for runtimes, stopwatch, and process display
- HTL inputs for encoders and sensors with NPN, PNP and NAMUR characteristics
- Bright, high-contrast display with event-dependent color versions
- Emulation of a seven-segment display with symbols and units
- Auxiliary voltage output 5/24 V DC for encoder supply
- Linearization with 24 interpolation points
- Numerous functions such as scaling, filters, and start-up override



Dimensions



Technical Data

Indicators/operating means

Type	Graphic LCD display with background lighting
Number of digits	8
Display value	digit height 13 mm
Display	
Touchscreen technology	resistive
Colors	Capability to switch between red, green, and yellow
Display interval	-99999999 ... 99999999
Accuracy	Measurement: ± 50 ppm, ± 1 digit

Electrical specifications

Release date: 2022-11-22 Date of issue: 2022-11-28 Filename: 70103127_eng.pdf

Technical Data

Fusing		External: T 0.1 A
Operating voltage	U_B	18 ... 30 V DC
Operating current	I_B	approx. 100 mA (Unladen)
Supply		Rotary encoder: 24 V DC (approx. 1 V less than U_B) Max. 250 mA
Interface		
Interface type		Serial RS-232
Transfer rate		9600, 19200, or 38400 baud
Input 1		
Input type		Incremental PNP, NPN, NAMUR, or Tri-State
Input format		HTL (low: 0...3 V, high: 9...30 V)
Connection		Two spurs: A, B
Input frequency		max. 250 kHz
Load current		Max. 6 mA/Ri > 5 k Ω / 470 pF
Input 2		
Input type		3 x Control input
Input format		HTL, PNP (low: 0 V ... 3 V, high: 9 V ... 30 V)
Input frequency		max. 10 kHz
Load current		Max. 2 mA/Ri > 15 k Ω /470 pF
Output 1		
Number/Type		Analog output Configurable as Current or voltage output
Current		0/4 mA ... 20 mA (Max. load: 270 Ω)
Voltage		-10 ... 10 V (Max. 2 mA)
Resolution		16 bit $\pm 0.1\%$ at 0 °C ... 45 °C $\pm 0.15\%$ at -20 °C ... 0 °C und 45 °C ... 60 °C
Response time		< 150 ms
Output 2		
Output type		4 x Control output
Output format		PNP
Output voltage		5 V ... 30 V (Depending on voltage at COM+)
Output rated operating current		max. 200 mA
Response time		< 1 ms
Directive conformity		
Electromagnetic compatibility		
Directive 2014/30/EU		EN 61326-1:2013 EN 55011:2016+A1:2017+A11:2020
Low voltage		
Directive 2014/35/EU		EN 61010-1:2010+A1:2019 EN 61010-2-201:2018
Ambient conditions		
Ambient temperature		-20 ... 60 °C (-4 ... 140 °F)
Storage temperature		-25 ... 70 °C (-13 ... 158 °F)
Mechanical specifications		
Housing width		96 mm
Housing height		48 mm
Housing depth		116 mm
Degree of protection		IP65 (front) IP20 (Connection side)
Connection		screw terminals 1.5 mm ² , AWG 16
Material		
Housing		ABS, UL 94 V-0
Installation		Panel mount Cutout W x H: 91 x 43 mm

Technical Data

Mass

approx. 200 g

Connection Assignment

