

# Process indicator

## DA5-IU-C

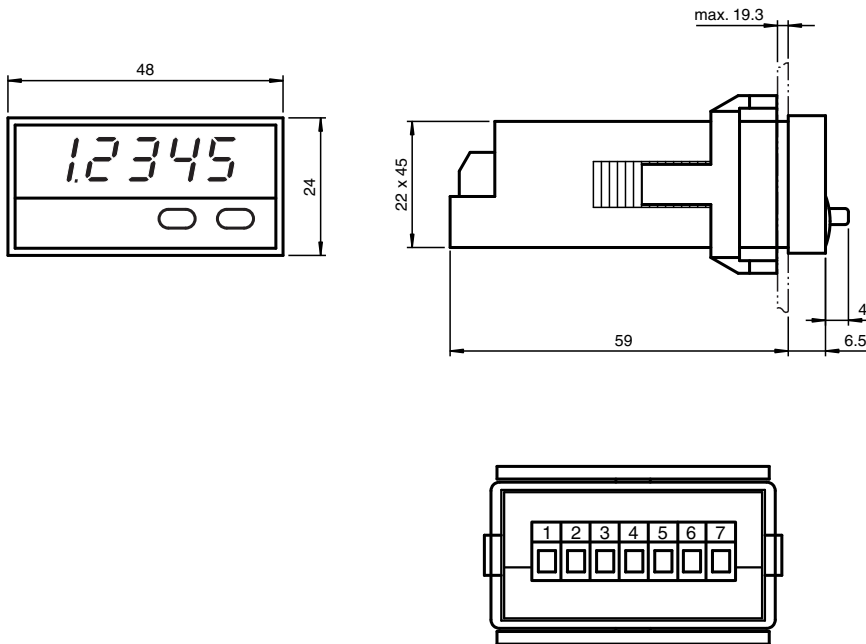


- Bright, high contrast 5-digit LED indicator
- Leading zero suppression
- Adjustable decimal point
- Maximum- and minimum-value display
- Integrated counter with specific scaling

Digital display unit



### Dimensions



### Technical Data

#### General specifications

Measuring frequency	10 measurements per second
Pre-selection	none
Data storage	10 <sup>6</sup> storage cycles or 10 years, EEPROM
Programming	keypad-driven menu

#### Indicators/operating means

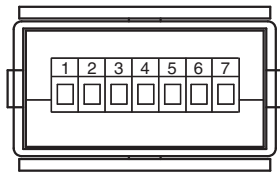
Type	7-segment LED display, red
Number of digits	5
Display value	digit height 8 mm

Release date: 2020-03-24 Date of issue: 2020-03-26 Filename: 70103276\_eng.pdf

## Technical Data

Key interlock		-
Display interval		-19999 ... 99999
Decimal point		freely adjustable
Resolution		14 Bit
Scale factor		via linear characteristic curve
Reset		maximum value, manually
<b>Electrical specifications</b>		
Operating voltage	$U_B$	10 ... 30 V DC
Power consumption	$P_0$	1.5 VA
<b>Input</b>		
Impedance		1 MOhm
Voltage		max. 30 DC
Analog voltage input		0 ... 10 V / 2 ... 10 V DC
Analog current input		0 ... 20 mA / 4 ... 20 mA
Accuracy		< 0.1 % of the total measuring range at 20 °C
Temperature influence		< 70 ppm/K <sub>ambient conditions</sub>
<b>Ambient conditions</b>		
Ambient temperature		-20 ... 65 °C (-4 ... 149 °F)
Storage temperature		-25 ... 70 °C (-13 ... 158 °F)
Relative humidity		≤ 80 % (noncondensing)
<b>Mechanical specifications</b>		
Degree of protection		IP65 (front)
Connection		7-pin screw terminal max. core cross section 0.34 ... 1.5 mm <sup>2</sup>
Mass		approx. 50 g
Dimensions		48 mm x 24 mm x 65 mm
Mounting		latch fastener/mounting frame

## Connection



Terminal No.	
1	10 ... 30 V DC
2	0 V (GND)
3	0 V LATCH
4	LATCH/RESET
5	Current input
6	0 V input signal
7	Voltage input

## Additional Information

The DA5-IU-C permits a simple visual inspection by operating and maintenance personnel. It converts the analogue sensor output signal into a readable form for this purpose. Depending on the task or setting, 4 ... 20 mA or 0 ... 100 % values can be displayed.

**Scope of delivery:**

- Process control unit DA5-IU-C
- Screw terminal, 7-pin
- Clamp clip
- Seal
- 1 sheet of adhesive symbols