

Female connector, field-attachable

V1D-G-ABG-PG9

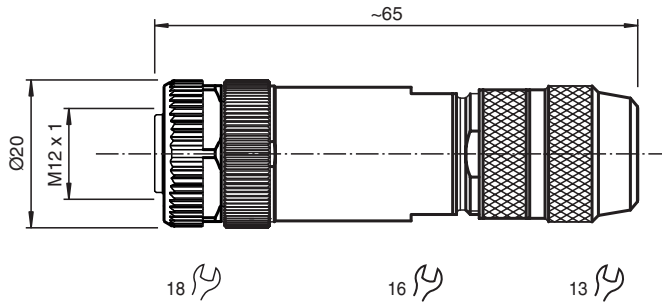


- D coding for Ethernet
- Conforms to PROFINET
- Field-attachable, shieldable
- Metal housing
- Iris spring shielding
- UL Recognized Component

Female connector M12 straight D-coded 4-pin, for cable diameter 5 - 8 mm, shielded, field-attachable



Dimensions



Technical Data

General specifications

Connector 1		
Connection		socket
Construction type		M12
Style		straight
Locking		screw connection
Number of pins		4
Coding		D-coded

Electrical specifications

Rated operating voltage	U_e	max. 250 V AC/DC
Rated operating current	I_e	max. 4 A
Surge protection		Category II
Insulation resistance		min. 10000 M Ω

Conformity

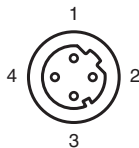
Degree of protection		EN 60529
Fieldbus standard		PROFINET
Plug connection		connector M12 x 1 : IEC 61076-2-101

Release date: 2024-12-05 Date of issue: 2024-12-05 Filename: 70104267_eng.pdf

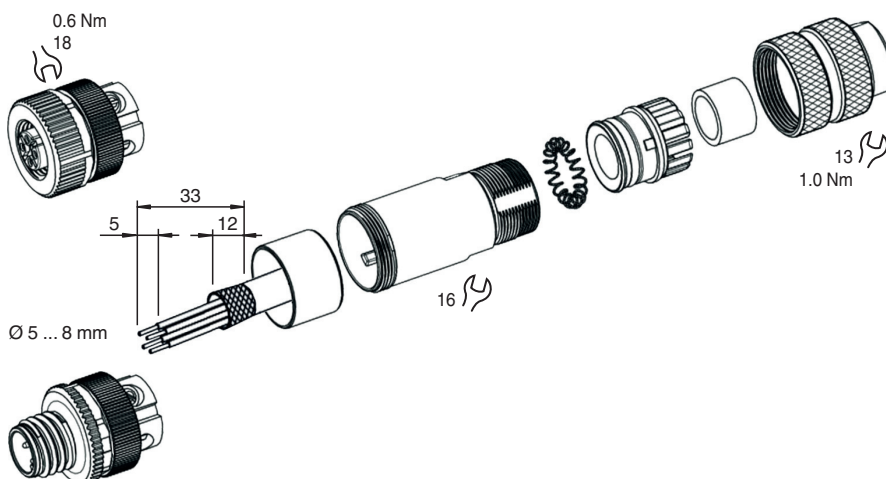
Technical Data

Component category	CAT5 (IEC 11801)
Approvals and certificates	
UL File Number	E363587
Ambient conditions	
Ambient temperature	-40 ... 85 °C (-40 ... 185 °F)
Pollution degree	3
Mechanical specifications	
Plug connector	
Tightening torque	0.6 Nm
Tool installation	straight knurling , hexagon nut SW = 18 mm
Mating cycles	min. 100
Shielding	iris spring shielding
Degree of protection	IP67
Connection	screw terminals for max. 0.75 mm ² / AWG 18
Cable	
Sheath diameter	5 ... 8 mm
Core cross section	0.75 mm ² / 18 AWG max.
Installation	screw terminals 0.4 Nm pressure nut 1 Nm
Mass	51 g
Note	installation: shield diameter ≤ 5.5 mm see instruction leaflet
Material	
Plug connector	
Screw connection	Zinc diecast, nickel-plated
Body	Zinc diecast, nickel-plated
Contact surface	gold plated (Au)

Connection



Installation



Release date: 2024-12-05 Date of issue: 2024-12-05 Filename: 70104267_eng.pdf