



IO-Link master ICE2-8IOL-K45S-RJ45

- Web-based configuration of module and IO-Link devices
- Integrated IODD storage for more than 100 IODDs
- Downloadable module configuration
- Screw terminal power connector
- EtherNet/IP, Modbus/TCP and OPC UA support

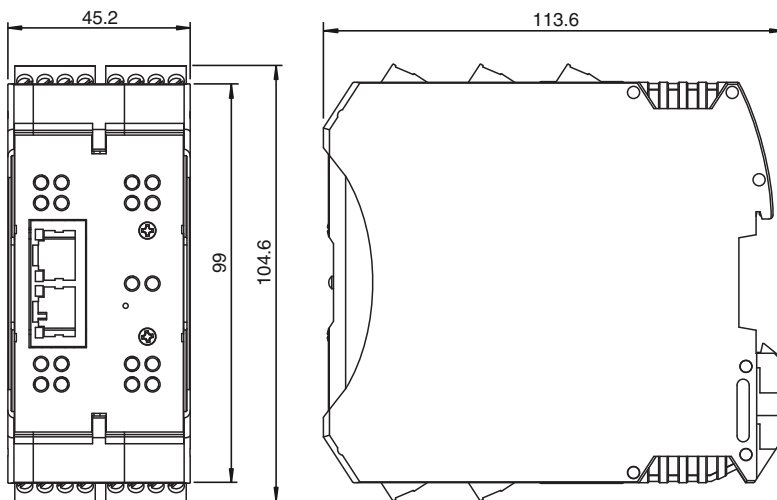
EtherNet/IP IO-Link master with 8 inputs/outputs, DIN rail, screw terminal



Function

The module is an EtherNet/IP fieldbus module with 8 type A IO-Link master ports according to the IO-Link standard V1.1. The fieldbus module serves as an interface between the controller of a EtherNet/IP fieldbus system and IO-Link devices at the field level. The integrated web server and IODD interpreter enables complete configuration of the fieldbus module and attached IO-Link devices without the need for special software tools. Information regarding the status of the module is also displayed and network parameters such as the IP address and subnet mask can be configured. The module is capable of storing all configuration enabling stand-alone usage without a higher-level PLC. MultiLink simultaneously provides data access via different communication protocols like EtherNet/IP, Modbus/TCP and OPC UA to multiple controllers. A screw terminal connector is used for supplying power that enables a current rating of up to 3.7 A. The inputs and outputs are equipped with screw terminal connectors. Connection to the fieldbus is achieved using a standard RJ45 Ethernet connector. Status information for each channel is displayed via LEDs as a diagnostic function.

Dimensions



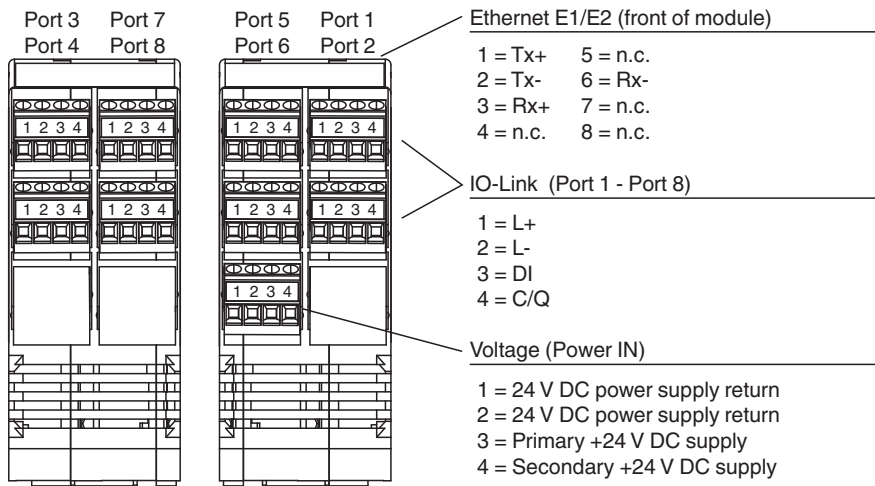
Technical Data

General specifications		
UL File Number		E360395
Indicators/operating means		
LED indication		see manual
Electrical specifications		
Rated operating voltage	U_e	18 ... 30 V DC
General information		Redundant power
Nominal voltage	U_N	24 V DC
Nominal current		3.7 A
Current consumption		typ. 155 mA
Current loading capacity		Total current 3.2 A per module
Interface 1		
Interface type		Industrial Ethernet
Physical		RJ45
Protocol		EtherNet/IP + Modbus TCP + OPC UA + MQTT (including Sparkplug B support) Modbus max PDI: 33 times / sec OPC UA max PDI update rate: 20 times / sec MQTT max PDI update rate: 10 times / sec
Transfer rate		10/100 Mbps
Inputs/Outputs		
Number/Type		8 x IO-Link Class A (X1 - X8) Configurable as: Max. 8 IO-Link and 8 digital inputs Max. 16 digital inputs Max. 8 digital inputs and 8 digital outputs short-circuit protected
Sensor supply		max. 200 mA per port via L+ (pin 1)
Output current	I_e	max. 200 mA per port Via C/Q (pin 4)
Directive conformity		
Electromagnetic compatibility		
Directive 2014/30/EU		EN 61000-6-2 , EN 61000-6-4
Standard conformity		
Degree of protection		EN 60529
Fieldbus standard		Type 1 according to IEC 61131-2, EN 61131-9
Electrical safety		CSA C22.2 No. 61010-1-12 / CSA C22.2 No. 61010-1-201 UL 61010-1 / UL 61010-1-201
Emitted interference		EN 61000-6-4, FCC Part 15 Subpart B, ICES-001, AS/NZS CISPR 11
Noise immunity		EN 61000-6-2 , EN 61131-2 , EN 61131-9
Shock resistance		EN 60068-2-27
Ambient conditions		
Ambient temperature		-40 ... 70 °C (-40 ... 158 °F)
Storage temperature		-40 ... 70 °C (-40 ... 158 °F)
Relative humidity		max. 95 %
Altitude		0 ... 2000 m
Shock and impact resistance		15g, 11ms, half-sine
Vibration resistance		5-8Hz, 3.5mm displacement, 8.4-150Hz, 1.0g acceleration
Mechanical specifications		
Degree of protection		IP20
Connection		Power Supply screw terminal Fieldbus RJ45 Inputs/Outputs screw terminal
Material		
Housing		Polyamide, UL94V-0
Mass		272 g
Dimensions		
Height		104.6 mm
Width		45.2 mm

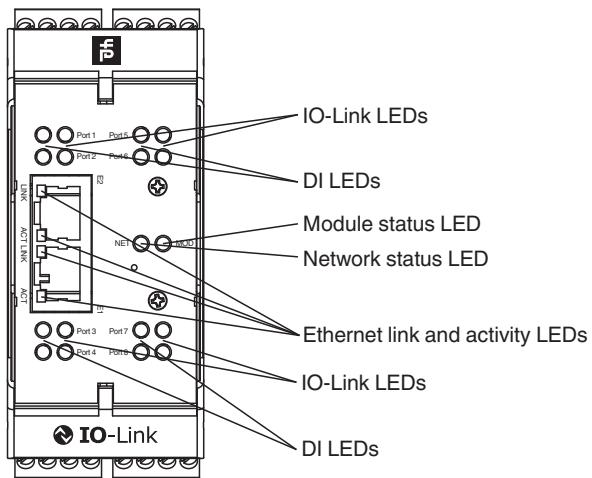
Technical Data

Length	113.6 mm
Construction type	Cabinet module
Mounting	DIN mounting rail

Connection



Assembly



Release date: 2025-07-11 Date of issue: 2025-07-11 Filename: 70104879_eng.pdf