

Modbus Gateway

ICDM-RX/MOD-4DB9/2RJ45-DIN

- DIN-rail mounting and DB9 serial connector
- Pure Modbus, multiple Modbus server and client types, remote, local, and private devices
- RS-232/422/485 software selectable interfaces
- Web-based configuration
- NEMA TS2 Certified

Modbus Gateway 4-port DIN Rail DB9



Function

Flexible, versatile, and highly configurable, the DeviceMaster Modbus Gateway provides unmatched connectivity for a vast array of Modbus implementations. Four unique Modbus firmware applications are available for download from the Modbus product web page and are easily loaded on the Gateway. Whether your Modbus device is Modbus/TCP, Modbus/RTU or Modbus/ASCII serial, is local or remote; or whether your Raw/ASCII device is connected via serial or Ethernet TCP/IP, the Gateways deliver a complete solution for integrating Modbus devices across networks and IIOT applications.

Modbus Router Firmware

Modbus Router is the default firmware that is preloaded on the Gateway and provides innovative network-wide Modbus connectivity between a broad variety of Modbus clients and local and remote Modbus servers. Advanced features include client-client communication, private serial bus connectivity, write protection, and device ID aliasing. With simplified configuration pages and advanced routing, Modbus Router provides unmatched Modbus connectivity.

Modbus/MQTT Firmware

Modbus/MQTT Router firmware provides all of the innovative capabilities of Modbus Router plus the addition of MQTT and SparkPlug B for delivering data to enterprise-wide cloud and IOT applications.

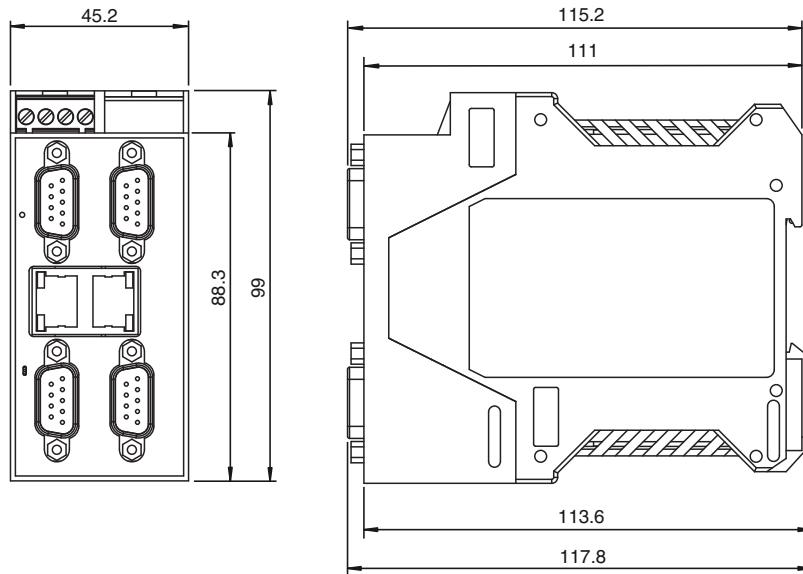
Modbus/TCP Firmware

Modbus/TCP firmware is the original DeviceMaster Modbus application and is designed to provide great flexibility for connecting both Modbus serial servers and Raw/ASCII devices to a variety of Modbus controllers and applications. Advanced features like Raw/ASCII filtering, command/response mode, peer-to-peer Modbus communications, and simultaneous connections to multiple Modbus controllers and/or Ethernet TCP/IP applications make the Modbus/TCP firmware the industry leader for Modbus to Raw/ASCII gateways.

Modbus Server Firmware

Modbus Server firmware provides enhanced connectivity for OPC servers and applications that require Modbus/RTU communication from Ethernet TCP/IP or COM ports directly to serial ports. While standard gateways provide connectivity for only one application per serial port, Modbus Server provides connectivity for up to six applications per serial port.

Dimensions



Technical Data

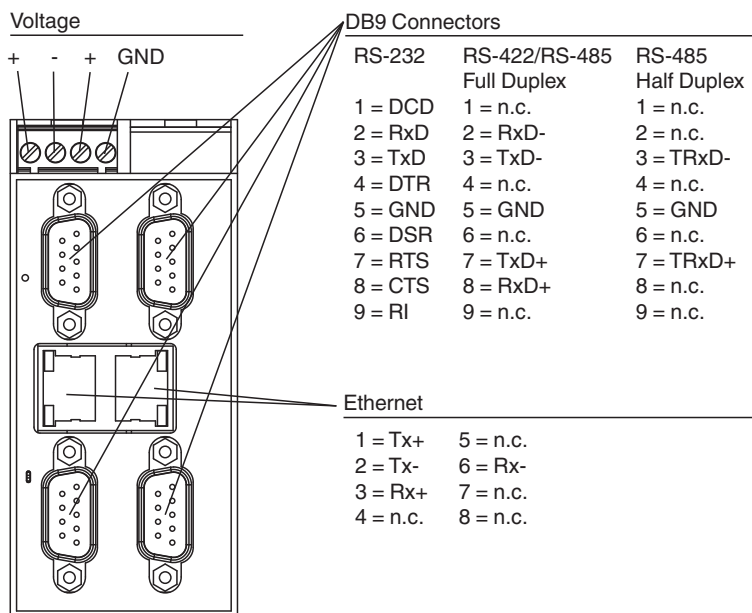
General specifications			
UL File Number		E360395	
MTBF		42.3 a	
Indicators/operating means			
LED indication		see manual	
Electrical specifications			
Rated operating voltage	U_e	5 ... 30 V DC	
Nominal voltage	U_N	24 V DC	
Interface			
Interface type		Software selectable interfaces: RS-232 , RS-422 , RS-485 (2 and 4-wire)	
Physical		4 x DB9	
Protocol		Modbus/ASCII Modbus/RTU Raw/ASCII	
Supported baud rates		300 bps to 230Kbps	
Interface 1			
Interface type		Industrial Ethernet	
Physical		2 x RJ45	
Protocol		MODBUS TCP/IP MQTT + Sparkplug B	
Additional protocols		ARP, BOOTP, DHCP/RARP, HTTP, HTTPS, SSH, SSL/TLS, ICMP, RFC 1006 (ISO over TCP), SNMP (MIB-II), TCP/IP & UDP socket services, Telnet, and TFTP, and supports IP multicast data transmission	
Transfer rate		10/100 Mbps	
Directive conformity			
Electromagnetic compatibility			
Directive 2014/30/EU		EN 61000-6-2:2005 , EN 610006-4:2007 , EN 610006-4/A1:2011	
RoHS		EN IEC 63000:2018	
Standard conformity			
Degree of protection		NEMA TS2	

Release date: 2025-07-11 Date of issue: 2025-07-11 Filename: 70104884_eng.pdf

Technical Data

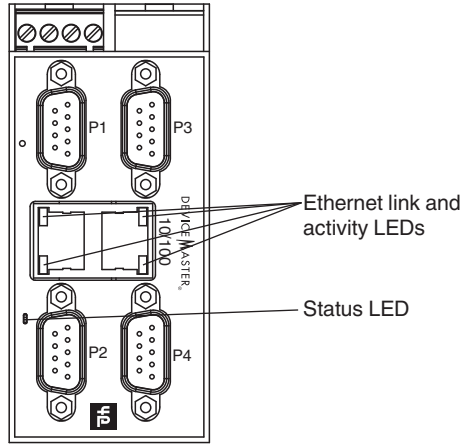
Electrical safety	CSA C22.2 No. 61010-1-12 / CSA C22.2 No. 61010-1-201 UL 61010-1 / UL 61010-1-201
Emitted interference	EN 61000-6-4, EN 55032, FCC Part 15 Subpart B, ICES-003, AS/NZS CISPR 32
Noise immunity	EN 61000-6-2
Ambient conditions	
Ambient temperature	-40 ... 75 °C (-40 ... 167 °F)
Storage temperature	-40 ... 85 °C (-40 ... 185 °F)
Relative humidity	max. 95 %
Altitude	0 ... 3048 m
Mechanical specifications	
Degree of protection	IP20
Connection	Power Supply: screw terminals Fieldbus: 2 x RJ45 Inputs/outputs: 4 x DB9
Material	
Housing	Polyamide, UL94V-0
Mass	204g
Dimensions	
Height	99.1 mm
Width	45.7 mm
Length	116.8 mm
Construction type	Cabinet module
Mounting	DIN mounting rail

Connection



Release date: 2025-07-11 Date of issue: 2025-07-11 Filename: 70104884_eng.pdf

Assembly



Release date: 2025-07-11 Date of issue: 2025-07-11 Filename: 70104884_eng.pdf