

Serial Device Server

ICDM-RX/TCP-DB9/RJ45-PM



- Panel mounting and DB9 connector
- RS-232/422/485 software selectable interfaces
- Web-based configuration
- TCP/IP & UDP Socket Services
- Device drivers (Windows and Linux)

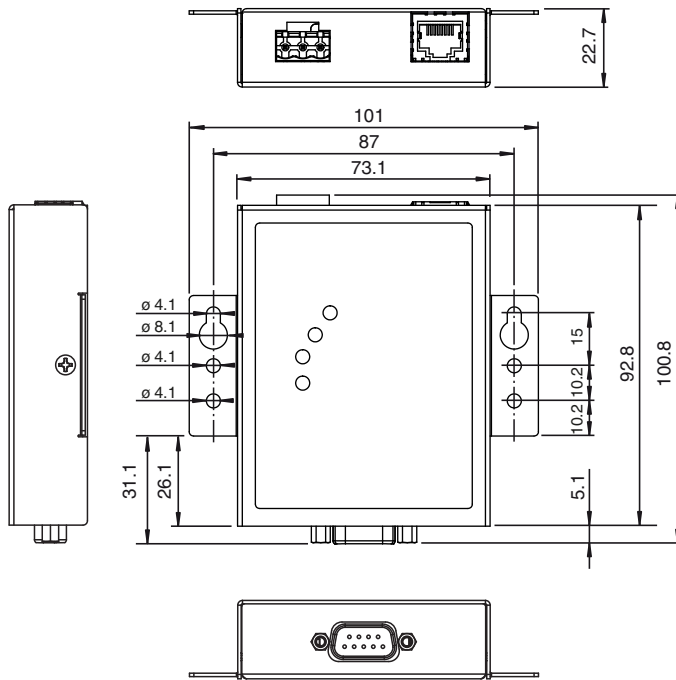
Serial Device Server 1-port Panel Mount DB9



Function

The ICDM-RX/TCP product family enables the connection of serial devices (RS-232 / RS-422 / RS-485) using a device driver (Windows or Linux) or Ethernet TCP/IP devices using socket services to an industrial Ethernet network. The integrated webserver enables complete configuration of all module parameters like serial interface, baud rate, parity, data bits, stop bits, or flow control. Products are available in different versions for DB9 or screw terminal connection.

Dimensions



Technical Data

General specifications

| | |
|----------------|---------|
| UL File Number | E185802 |
| MTBF | 48.4 a |

Indicators/operating means

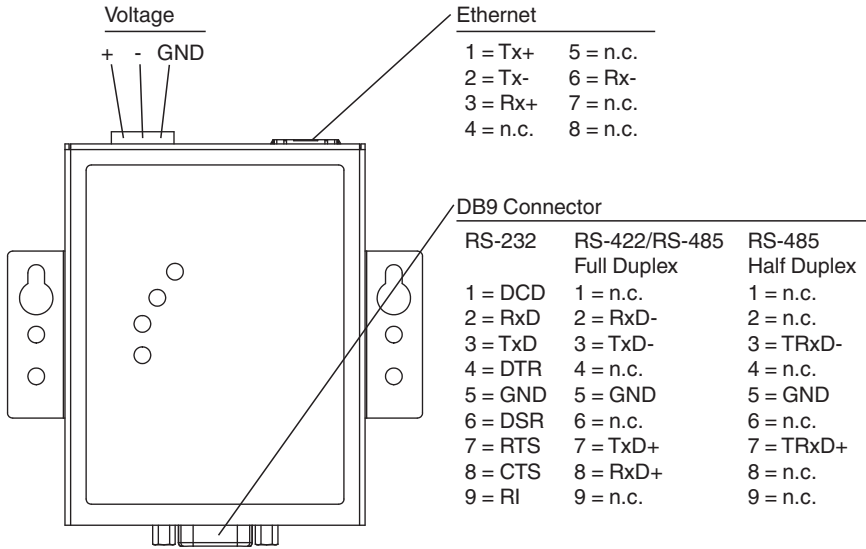
| | |
|----------------|------------|
| LED indication | see manual |
|----------------|------------|

Release date: 2024-04-25 Date of issue: 2024-04-25 Filename: 70104885_eng.pdf

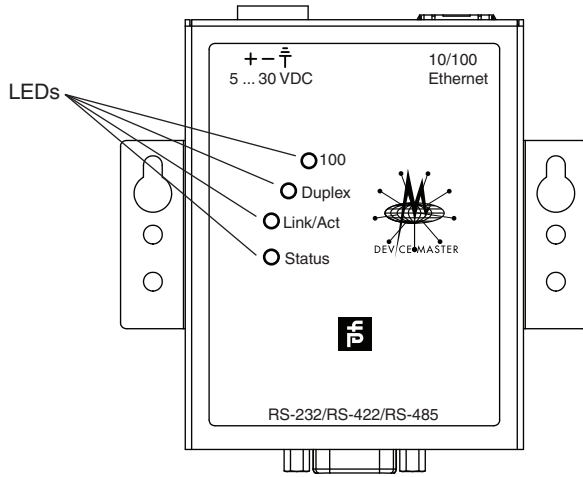
Technical Data

| | | |
|----------------------------------|----------------|---|
| Electrical specifications | | |
| Rated operating voltage | U _e | 5 ... 30 V DC |
| Nominal voltage | | 24 V DC |
| Interface | | |
| Interface type | | Software selectable interfaces: RS-232 RS-422 RS-485 2-wire |
| Physical | | 1 x DB9 |
| Protocol | | Raw serial |
| Supported baud rates | | 300 bps to 230Kbps |
| Interface 1 | | |
| Interface type | | Industrial Ethernet |
| Physical | | 1 x RJ45 |
| Protocol | | TCP/IP |
| Additional protocols | | ARP, BOOTP, DHCP/RARP, HTTP, HTTPS, SSH, SSL/TLS, ICMP, RFC 1006 (ISO over TCP), SNMP (MIB-II), TCP/IP & UDP socket services, Telnet, and TFTP, and supports IP multicast data transmission |
| Transfer rate | | 10/100 Mbps |
| Directive conformity | | |
| Electromagnetic compatibility | | |
| Directive 2014/30/EU | | EN 61000-6-2:2005 , EN 61000-6-4:2007 + A1:2011 |
| RoHS | | EN IEC 63000:2018 |
| Standard conformity | | |
| Electrical safety | | CSA C22.2 No. 60950 / CSA C22.2 No. 60950/UL60950 |
| Emitted interference | | EN 61000-6-4, EN 55032, FCC Part 15 Subpart B, ICES-003, AS/NZS CISPR 32 |
| Noise immunity | | EN 61000-6-2 |
| Ambient conditions | | |
| Ambient temperature | | -40 ... 75 °C (-40 ... 167 °F) |
| Storage temperature | | -40 ... 85 °C (-40 ... 185 °F) |
| Relative humidity | | max. 95 % |
| Altitude | | 0 ... 3048 m |
| Mechanical specifications | | |
| Degree of protection | | IP20 |
| Connection | | Power Supply: pluggable screw terminal Fieldbus: 1 x RJ45 Inputs/outputs: 1 x DB9 |
| Material | | |
| Housing | | stainless steel |
| Mass | | 220g |
| Dimensions | | |
| Height | | 71.1 mm |
| Width | | 20.3 mm |
| Length | | 91.4 mm |
| Construction type | | Cabinet module |
| Mounting | | panel mount |

Connection



Indication



Release date: 2024-04-25 Date of issue: 2024-04-25 Filename: 70104885_eng.pdf