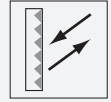




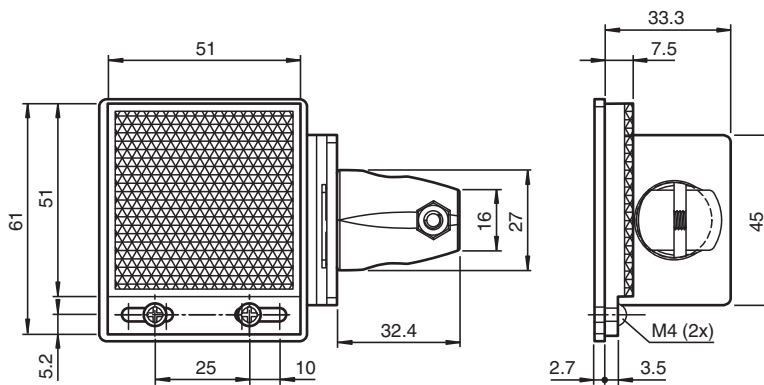
Reflector REF-H50 SET



- Mounting holes for simple installation
- Pre-assembled with metal bracket and clamping cylinder

Reflector, rectangular 51 mm x 61 mm, mounting holes, fixing strap

Dimensions



Technical Data

General specifications

Construction type	rectangular
Accessories provided	Stainless steel bracket with 2 x M4 x 10 cross-slotted pan head screws , stainless steel (ISO 7045) and 2 x flat washers , Stainless steel A2 , outer diameter: 9 mm, inner diameter: 4.3 mm, thickness: 0.8 mm (ISO 7089) and 2 x external tooth lock washers , Stainless steel A2 , outer diameter: 8 mm, inner diameter: 4.3 mm, thickness: 0.5 mm (DIN 6797, shape A) Clamping cylinder, zinc die-cast (factory pre-assembled)

Ambient conditions

Ambient temperature	-20 ... 60 °C (-4 ... 140 °F)
---------------------	-------------------------------

Mechanical specifications

Material	PMMA/ABS
Dimensions	51 mm x 61 mm x 7.5 mm
Mounting	mounting holes