

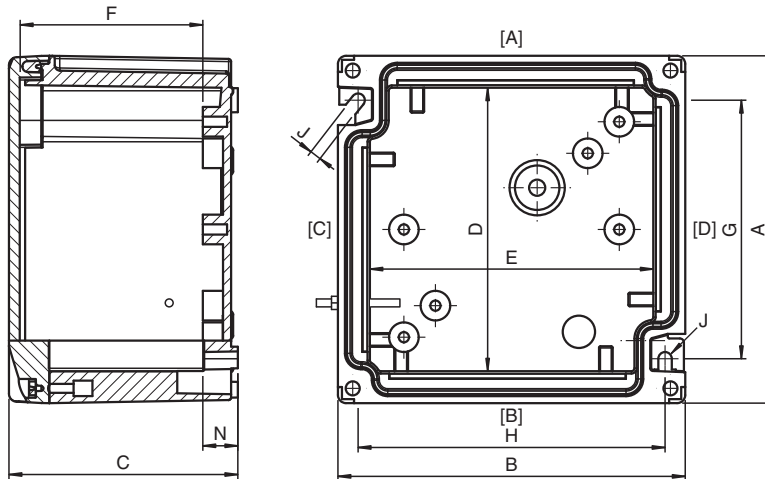
## Junction Box Ex e, Glass-Fiber Reinforced Polyester (GRP)

GR.TJE.13.13.09.B-S0004

- Carbon loaded, antistatic glass-fiber reinforced polyester
- Installation in Zone 1, Zone 2, Zone 21 and Zone 22
- Ex e and Ex tb certified
- 129 mm x 129 mm x 85 mm
- Modern design with high impact resistance
- Easy installation due to easily accessible mounting points
- Easy cover opening without damage due to multiple pry points
- Top face stopping plug polyamide, 1x M20
- Bottom face cable glands polyamide, 2x M20; left side cable gland polyamide, 1x M20; right side cable gland polyamide, 1x M20



### Dimensions



Dimension values see data table.  
Image and drawing are generic for this device type and may deviate from the specific variant.

### Technical Data

Electrical specifications	
Operating voltage	690 V AC / DC max. for ATEX / IECEx
Mechanical specifications	
Enclosure cover	fully detachable
Cover fixing	
Screws	M4 stainless steel combination Phillips and slotted screw
Number	4
Tightening torque	1.5 Nm
Cover seal	foamed silicone
Degree of protection	IP66
Cable entry	thru-holes
Cable entry face A	

Release date: 2024-07-31 Date of issue: 2024-07-31 Filename: 70108692\_eng.pdf

## Technical Data

M20 quantity	1
M20 series	Stopping Plug
M20 type	SP.PE.M20.*
<b>Cable entry face B</b>	
M20 quantity	2
M20 series	Cable Glands, Plastic
M20 type	CG.PEDS1.M20.*
M20 clamping range	6 ... 12 mm
<b>Cable entry face C</b>	
M20 quantity	1
M20 series	Cable Glands, Plastic
M20 type	CG.PEDS1.M20.*
M20 clamping range	6 ... 12 mm
<b>Cable entry face D</b>	
M20 quantity	1
M20 series	Cable Glands, Plastic
M20 type	CG.PEDS1.M20.*
M20 clamping range	6 ... 12 mm
<b>Terminal assembly</b>	
Rail orientation	horizontal
Number of horizontal rails	1
Usable length per horizontal rail	67.5 mm
Terminal type	9 x UT 2.5 2 x UT 2.5 PE
Terminal capacity	2.5 mm <sup>2</sup>
<b>Material</b>	
Enclosure	carbon loaded, antistatic glass-fiber reinforced polyester (GRP)
Finish	inherent color black
<b>Mass</b>	
approx. 0.61 kg	
<b>Dimensions</b>	
External dimension (A)	129 mm
External dimension (B)	129 mm
External dimension (C)	85 mm
Internal dimension (D)	106 mm
Internal dimension (E)	106 mm
Internal dimension (F)	68 mm
Mounting holes distance (G)	96 mm
Mounting holes distance (H)	114 mm
Mounting holes diameter (J)	5 mm
Thickness of mounting brackets (N)	13 mm
Mounting	2 screws
<b>Ambient conditions</b>	
Ambient temperature	-40 ... 60 °C (-40 ... 140 °F)
<b>Data for application in connection with hazardous areas</b>	
EU-type examination certificate	CML 17 ATEX 3255X
Marking	Ⓜ II 2 GD Ex eb IIC T* Gb Ex tb IIIC T** °C Db T6/T80 °C @ Ta +40 °C T4/T130 °C @ Ta +60 °C
<b>International approvals</b>	
IECEx approval	IECEx CML 17.0144X
UKCA approval	CML 21 UKEX 3896X
Further approvals	further on request

Release date: 2024-07-31 Date of issue: 2024-07-31 Filename: 70108692\_eng.pdf

## Technical Data

### Conformity

Degree of protection	EN60529
CE marking	0102

### General information

Supplementary information	EC-Type Examination Certificate, Statement of Conformity, Declaration of Conformity, Attestation of Conformity and instructions have to be observed where applicable. For information see <a href="http://www.pepperl-fuchs.com">www.pepperl-fuchs.com</a> .
---------------------------	--