

# Y-Splitter

## V15S-Y-V15/V15

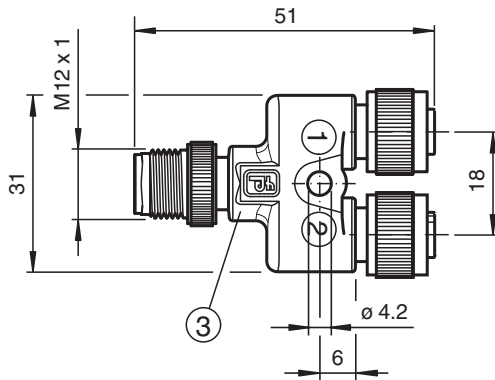


- Easy merging of two signals at a single M12 slot
- Degree of protection IP67
- Free of paint wetting interfering substances
- UL Recognized Component
- Knurled nut suitable for tool assembly
- Immunity to vibration, with mechanical latching
- Meets the VASS6 standard

Y-Splitter M12 plug to 2x M12 socket 5-pin A-coded



### Dimensions



### Technical Data

#### General specifications

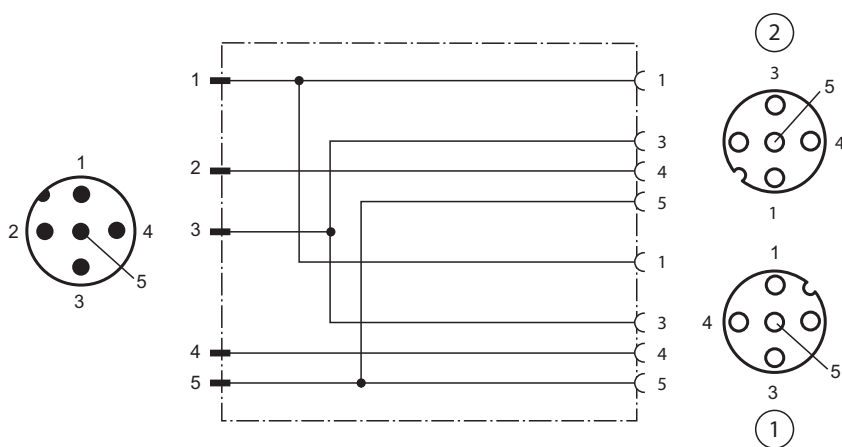
Connector 1	
Connection	socket
Construction type	M12
Style	straight
Locking	screw connection
Number of pins	5
Coding	A-coded
Connector 2	
Connection	socket
Construction type	M12
Style	straight
Locking	screw connection
Number of pins	5
Coding	A-coded
Connector 3	
Connection	plug

Release date: 2023-06-30 Date of issue: 2023-06-30 Filename: 70109844\_eng.pdf

**Technical Data**

Construction type		M12
Style		straight
Locking		screw connection
Number of pins		5
Coding		A-coded
<b>Electrical specifications</b>		
Operating voltage	U <sub>B</sub>	max. 48 V AC / 60 V DC
Operating current	I <sub>B</sub>	4 A
<b>Conformity</b>		
Degree of protection		EN 60529
Plug connection		connector M12 x 1 : IEC 61076-2-101
Flammability		UL 94
<b>Approvals and certificates</b>		
UL approval		UL 2238, 3rd Edition, CSA C22.2 No. 182.3-16.; CYJV/7
UL File Number		E231213
<b>Ambient conditions</b>		
Ambient temperature		-40 ... 90 °C (-40 ... 194 °F)
Pollution degree		3
<b>Mechanical specifications</b>		
Plug connector		
Tightening torque		0.6 Nm
Loosening protection		available
Tool installation		straight knurling
Mating cycles		min. 100
Degree of protection		IP67
Mounting		Mounting hole for M4 screw
<b>Material</b>		
Plug connector		
Screw connection		Zinc diecast, nickel-plated
Body		TPU
Contact surface		Au
Flammability		V-2

**Connection Assignment**



Release date: 2023-06-30 Date of issue: 2023-06-30 Filename: 70109844\_eng.pdf

**Accessories****MH V1-SCREWDRIVER**

Torque screwdriver (0.6 Nm)

**MH V1-BIT M12**

plug-in cap M12