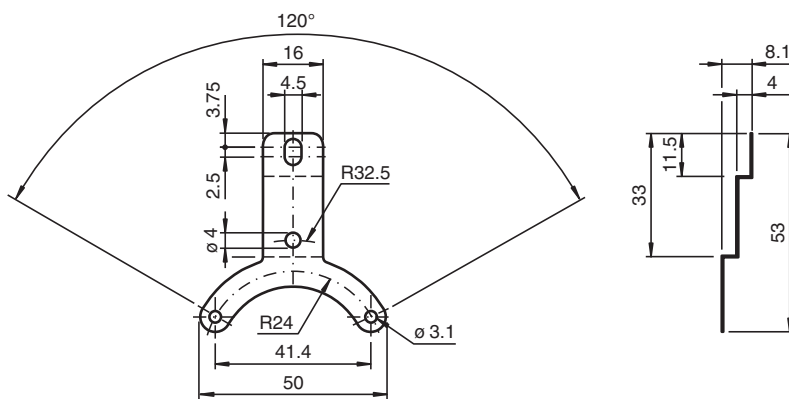


Spring plate ACC-TOR-ENI58IL-BA



Spring plate single long for ENI58IL for standard applications

Dimensions



Technical Data

General information

Scope of delivery

- 1 Spring plate, single long
- 2 screws M3 x 12
- 2 washers
- 2 spacer sleeves
- 1 Hexagon socket wrench