

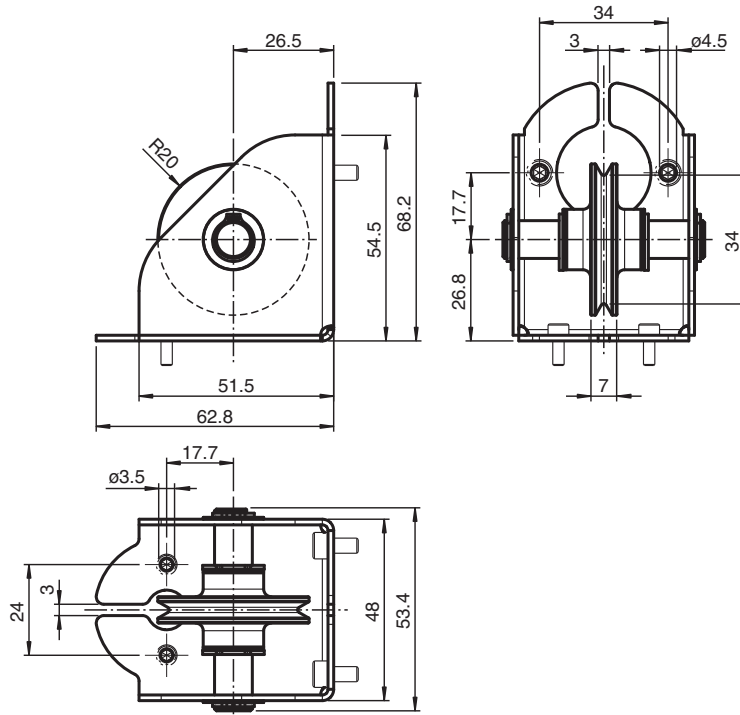


## Guide pulley ACC-PUL-ECN-SEP4

- Guide pulley for all cable pull models
- For applications with rope exit  $\geq 3^\circ$
- Ideal for corner and wall mounting
- Breaking ice on the measuring rope
- For bridging edges and obstacles

Separate guide pulley for cable pulls

### Dimensions








### Technical Data

#### Mechanical specifications

Material	
Guide pulley bracket	stainless steel 1.4404 / AISI 316L
Guide pulley	Hostaform C
Rotational axis	stainless steel 1.4404 / AISI 316L
Mounting materials	stainless steel
Mass	150 g
General information	
Scope of delivery	2 allen head screws M4 x 8 2 allen head screws M4 x 8

Release date: 2022-04-21 Date of issue: 2022-12-12 Filename: 70112055\_eng.pdf

**Accessories**

	<b>ECN10TL-*</b>	Cable pull
	<b>ECN20IL-*</b>	Cable pull
	<b>ECN21IL-*</b>	Cable pull
	<b>ECN30PL-*</b>	Cable pull
	<b>ECN40HD-*</b>	Cable pull