

Female connector, field-attachable

V15-G-PG7

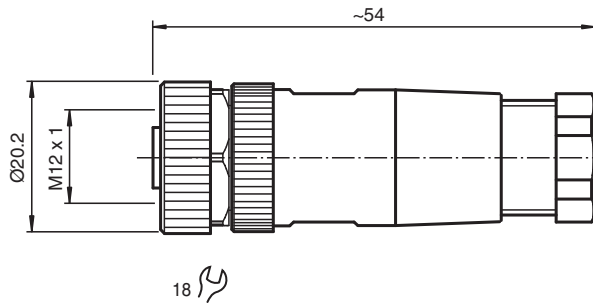


- Screw terminal connection
- Metal locking
- Knurled nut suitable for tool assembly

Female connector M12 straight A-coded 5-pin, for cable diameter 4 - 6 mm, field-attachable



Dimensions



Technical Data

General specifications

Connector 1	
Connection	socket
Construction type	M12
Style	straight
Locking	screw connection
Number of pins	5
Coding	A-coded

Electrical specifications

Operating voltage	U_B	max. 48 V AC / 60 V DC
Operating current	I_B	max. 4 A
Insulation resistance		min. 100 M Ω

Conformity

Degree of protection	EN 60529
Plug connection	connector M12 x 1 : IEC 61076-2-101

Ambient conditions

Ambient temperature	-40 ... 85 °C (-40 ... 185 °F)
---------------------	--------------------------------

Release date: 2025-01-30 Date of issue: 2025-01-30 Filename: 70112081_eng.pdf

Technical Data

Pollution degree	3
Mechanical specifications	
Plug connector	
Tightening torque	0.6 Nm
Tool installation	straight knurling , hexagon nut SW = 18 mm
Mating cycles	min. 50
Degree of protection	IP67
Connection	screw terminals for max. 0.75 mm ² / AWG 18
Cable	
Sheath diameter	4 ... 6 mm
Core cross section	0.75 mm ² / 18 AWG max.
Mass	24.1 g
Material	
Plug connector	
Screw connection	Zinc diecast, nickel-plated
Body	PA, black
Contact surface	CuSnZn

Connection Assignment

