

Female connector, field-attachable

V15-W-PG7

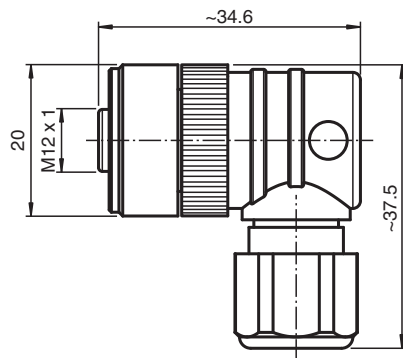


- Screw terminal connection
- Metal locking

Female connector M12 angled A-coded 5-pin, field-attachable



Dimensions



Technical Data

General specifications

Connector 1	
Connection	socket
Construction type	M12
Style	angled
Locking	screw connection
Number of pins	5
Coding	A-coded
Customization	Coding rotateable in steps of 90°

Electrical specifications

Operating voltage	U_B	max. 48 V AC / 60 V DC
Operating current	I_B	max. 4 A
Volume resistance		< 10 mΩ

Conformity

Degree of protection	EN 60529
Plug connection	connector M12 x 1 : IEC 61076-2-101

Ambient conditions

Release date: 2025-01-30 Date of issue: 2025-01-30 Filename: 70112082_eng.pdf

Technical Data

Ambient temperature	-28 ... 90 °C (-18.4 ... 194 °F) , note derating	
Pollution degree		3
Mechanical specifications		
Plug connector		
Tightening torque	1.5 ... 1.6 Nm	
Tool installation	straight knurling	
Mating cycles	min. 50	
Degree of protection	IP65	
Connection	screw terminals for max. 0.75 mm ² / AWG 18	
Cable		
Sheath diameter	4 ... 6 mm	
Core cross section	0.75 mm ² / 18 AWG max.	
Mass	28.9 g	
Material		
Plug connector		
Screw connection	Zinc diecast, nickel-plated	
Body	PBT, black	
Seal	NBR , FKM	
Contact surface	CuSnZn	

Connection Assignment

