



PROFINET IO Gateway ICDM-RX/PN-2ST/RJ45-DIN

- DIN-rail mounting and screw terminal connectors
- PROFINET IO: connect serial and Ethernet TCP/IP devices to PROFINET IO controllers and TCP/IP applications
- Web-based configuration
- RS-232/422/485 software selectable interfaces
- NEMA TS2 Certified

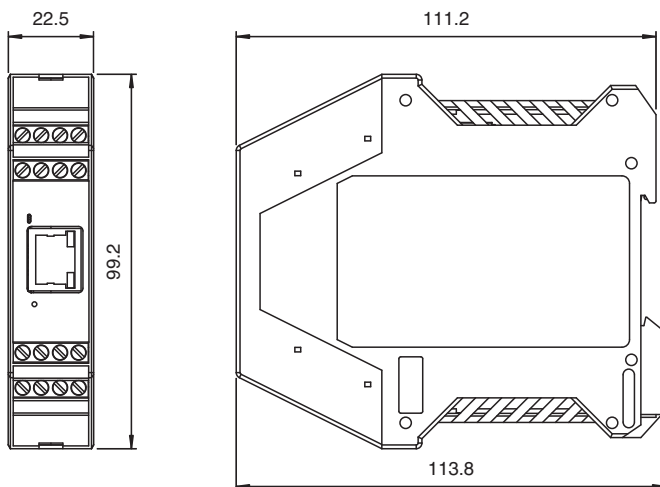
PROFINET IO Gateway 2-port DIN rail screw terminal



Function

The ICDM-RX/PN product family enables connection of serial devices (RS-232 / RS-422 / RS-485) or Ethernet TCP/IP devices to an Industrial PROFINET IO network. Highly advanced raw/ASCII device interface functionality simplifies PLC programming and ensures robust operation. These features greatly simplify connecting devices such as barcode scanners, RFID readers, weigh scales, vision systems, printers, encoders, and sensors to PLCs. The integrated webserver enables complete configuration of all module parameters like serial interface, baud rate, or delimiting characters. Products are available in different versions for DB9 or screw terminal connection.

Dimensions



Technical Data

General specifications		
UL File Number		E185802
MTBF		58.6 a
Indicators/operating means		
LED indication		see manual
Electrical specifications		
Rated operating voltage	U_e	5 ... 30 V DC
Nominal voltage		24 V DC
Interface		
Interface type		Software selectable interfaces: RS-232 , RS-422 , RS-485 (2 and 4-wire)
Physical		2 x Screw Terminal

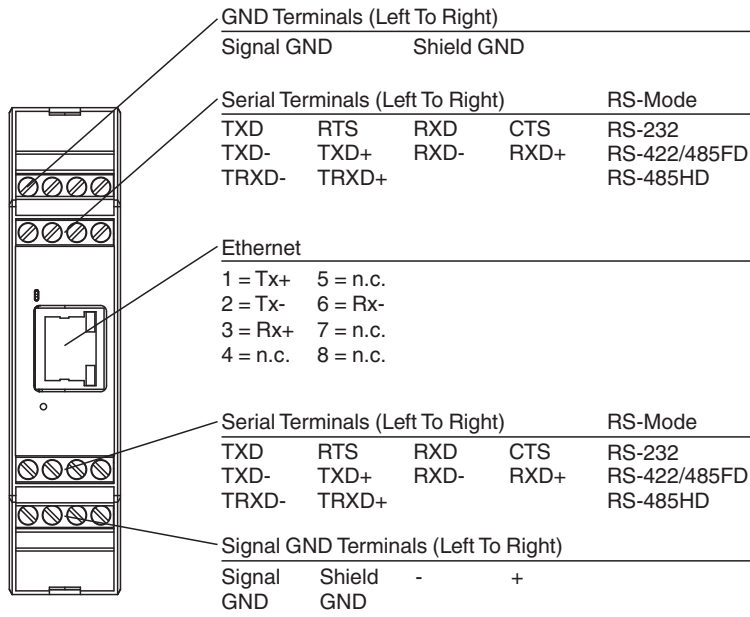
Release date: 2024-04-25 Date of issue: 2024-04-25 Filename: 70114029_eng.pdf

Technical Data

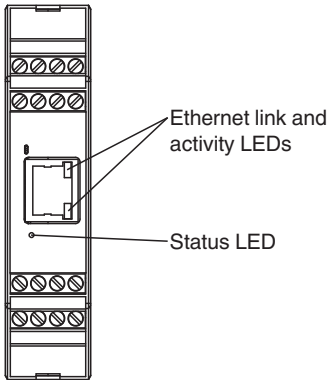
Protocol	Raw serial
Supported baud rates	300 bps to 230Kbps
Interface 1	
Interface type	Industrial Ethernet
Physical	1 x RJ45
Protocol	PROFINET IO
Additional protocols	ARP, BOOTP, DHCP/RARP, HTTP, HTTPS, SSH, SSL/TLS, ICMP, RFC 1006 (ISO over TCP), SNMP (MIB-II), TCP/IP & UDP socket services, Telnet, and TFTP, and supports IP multicast data transmission
Transfer rate	10/100 Mbps
Directive conformity	
Electromagnetic compatibility	
Directive 2014/30/EU	EN 61000-6-2:2005 , EN 610006-4:2007 , EN 610006-4/A1:2011
RoHS	EN IEC 63000:2018
Standard conformity	
Degree of protection	NEMA TS2
Electrical safety	CSA C22.2 No. 60950 / UL60950
Emitted interference	EN 61000-6-4, EN 55032, FCC Part 15 Subpart B, ICES-003, AS/NZS CISPR 32.
Noise immunity	EN 61000-6-2 , EN 55024
Ambient conditions	
Ambient temperature	-40 ... 75 °C (-40 ... 167 °F)
Storage temperature	-40 ... 85 °C (-40 ... 185 °F)
Relative humidity	max. 95 %
Altitude	0 ... 3048 m
Mechanical specifications	
Degree of protection	IP20
Connection	Power Supply: screw terminals Fieldbus: 1 x RJ45 Inputs/outputs: 2 x Screw Terminals
Material	
Housing	Polyamide, UL94V-0
Mass	130.4g
Dimensions	
Height	99 mm
Width	22.6 mm
Length	111 mm
Construction type	Cabinet module
Mounting	DIN mounting rail

Release date: 2024-04-25 Date of issue: 2024-04-25 Filename: 70114029_eng.pdf

Connection



Assembly



Release date: 2024-04-25 Date of issue: 2024-04-25 Filename: 70114029_eng.pdf