



# Modbus Gateway

## ICDM-RX/MOD-2DB9/RJ45-DIN

- DIN-rail mounting and DB9 connectors
- Pure Modbus, multiple Modbus server and client types, remote, local, and private devices
- Web-based configuration
- RS-232/422/485 software selectable interfaces
- NEMA TS2 Certified

Modbus Gateway 2-port DIN rail DB9



### Function

Flexible, versatile, and highly configurable, the DeviceMaster Modbus Gateway provides unmatched connectivity for a vast array of Modbus implementations. Four unique Modbus firmware applications are available for download from the Modbus product web page and are easily loaded on the Gateway. Whether your Modbus device is Modbus/TCP, Modbus/RTU or Modbus/ASCII serial, is local or remote; or whether your Raw/ASCII device is connected via serial or Ethernet TCP/IP, the Gateways deliver a complete solution for integrating Modbus devices across networks and IIOT applications.

#### Modbus Router Firmware

Modbus Router is the default firmware that is preloaded on the Gateway and provides innovative network-wide Modbus connectivity between a broad variety of Modbus clients and local and remote Modbus servers. Advanced features include client-client communication, private serial bus connectivity, write protection, and device ID aliasing. With simplified configuration pages and advanced routing, Modbus Router provides unmatched Modbus connectivity.

#### Modbus/MQTT Firmware

Modbus/MQTT Router firmware provides all of the innovative capabilities of Modbus Router plus the addition of MQTT and SparkPlug B for delivering data to enterprise-wide cloud and IOT applications.

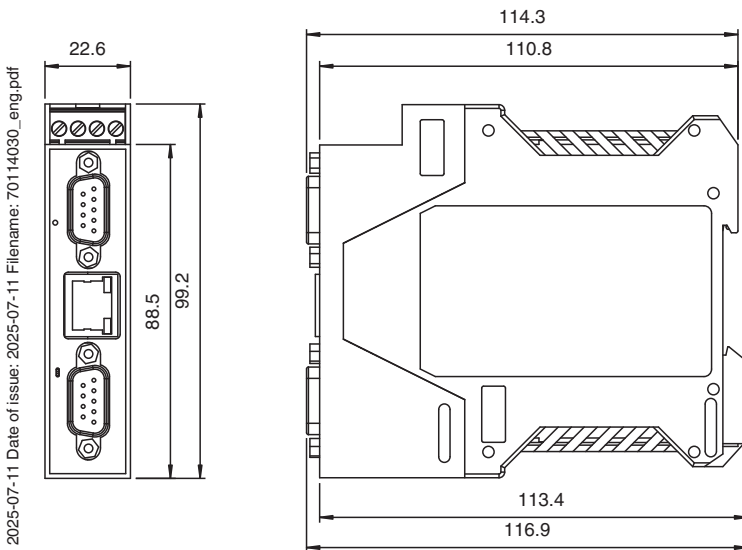
#### Modbus/TCP Firmware

Modbus/TCP firmware is the original DeviceMaster Modbus application and is designed to provide great flexibility for connecting both Modbus serial servers and Raw/ASCII devices to a variety of Modbus controllers and applications. Advanced features like Raw/ASCII filtering, command/response mode, peer-to-peer Modbus communications, and simultaneous connections to multiple Modbus controllers and/or Ethernet TCP/IP applications make the Modbus/TCP firmware the industry leader for Modbus to Raw/ASCII gateways.

#### Modbus Server Firmware

Modbus Server firmware provides enhanced connectivity for OPC servers and applications that require Modbus/RTU communication from Ethernet TCP/IP or COM ports directly to serial ports. While standard gateways provide connectivity for only one application per serial port, Modbus Server provides connectivity for up to six applications per serial port.

### Dimensions

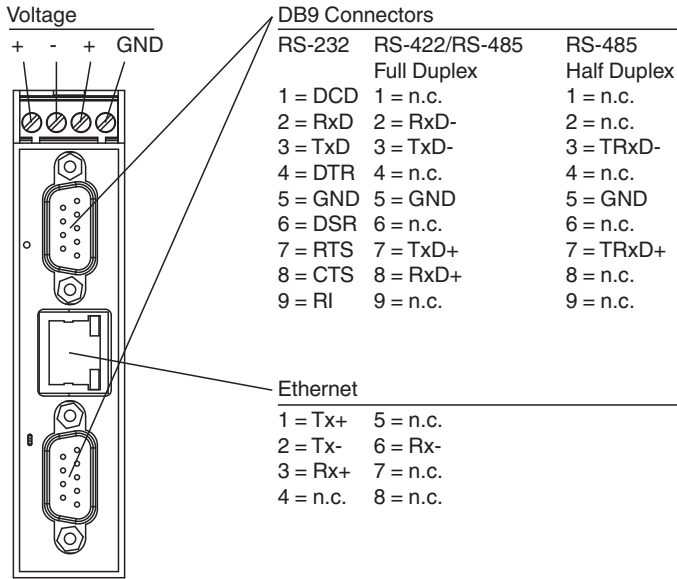


Release date: 2025-07-11 Date of issue: 2025-07-11 Filename: 70114030\_eng.pdf

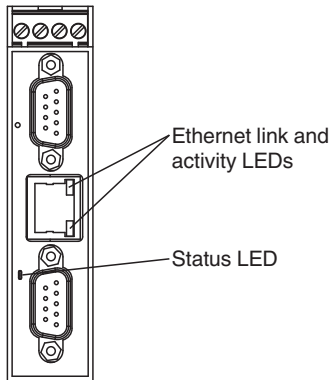
## Technical Data

<b>General specifications</b>		
UL File Number		E360395
MTBF		46.3 a
<b>Indicators/operating means</b>		
LED indication		see manual
<b>Electrical specifications</b>		
Rated operating voltage	$U_e$	5 ... 30 V DC
General information		Redundant power
Nominal voltage	$U_N$	24 V DC
<b>Interface</b>		
Interface type		Software selectable interfaces: RS-232 , RS-422 , RS-485 (2 and 4-wire)
Physical		2 x DB9
Protocol		Modbus/ASCII Modbus/RTU Raw/ASCII
Supported baud rates		300 bps to 230Kbps
<b>Interface 1</b>		
Interface type		Industrial Ethernet
Physical		1 x RJ45
Protocol		MODBUS TCP/IP MQTT + Sparkplug B
Additional protocols		ARP, BOOTP, DHCP/RARP, HTTP, HTTPS, SSH, SSL/TLS, ICMP, RFC 1006 (ISO over TCP), SNMP (MIB-II), TCP/IP & UDP socket services, Telnet, and TFTP, and supports IP multicast data transmission
Transfer rate		10/100 Mbps
<b>Directive conformity</b>		
Electromagnetic compatibility		
Directive 2014/30/EU		EN 61000-6-2:2005 , EN 610006-4:2007 , EN 610006-4/A1:2011
RoHS		EN IEC 63000:2018
<b>Standard conformity</b>		
Degree of protection		NEMA TS2
Electrical safety		CSA C22.2 No. 60950 / UL60950
Emitted interference		EN 61000-6-4, EN 55032, FCC Part 15 Subpart B, ICES-003, AS/NZS CISPR 32
Noise immunity		EN 61000-6-2:2005
<b>Ambient conditions</b>		
Ambient temperature		-40 ... 75 °C (-40 ... 167 °F)
Storage temperature		-40 ... 85 °C (-40 ... 185 °F)
Relative humidity		max. 95 %
Altitude		0 ... 3048 m
<b>Mechanical specifications</b>		
Degree of protection		IP20
Connection		Power Supply: screw terminals Fieldbus: 1 x RJ45 Inputs/outputs: 2 x DB9
Material		
Housing		Polyamide, UL94V-0
Mass		136g
Dimensions		
Height		99.1 mm
Width		22.9 mm
Length		116.8 mm
Construction type		Cabinet module
Mounting		DIN mounting rail

**Connection**



**Assembly**



Release date: 2025-07-11 Date of issue: 2025-07-11 Filename: 70114030\_eng.pdf