



PROFINET IO to Modbus Gateway ICDM-RX/PN1-ST/RJ45-DIN

- DIN-rail mounting and screw terminal connections
- PROFINET IO to and from Modbus TCP, Modbus ASCII, Modbus RTU and Modbus to Modbus communication
- Advanced Modbus gateway and routing capabilities
- Data Mapping sub-system and a built-in Modbus concentrator
- Web-based configuration
- RS-232/422/485 software selectable interfaces
- NEMA TS2 Certified

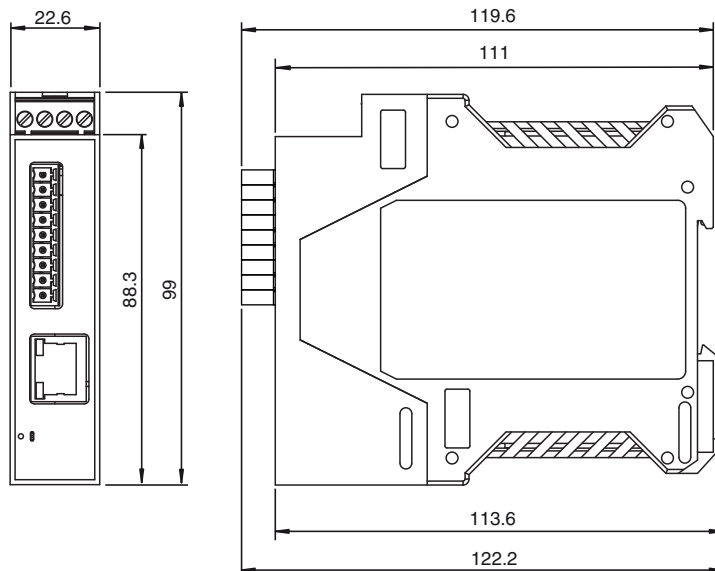
PROFINET IO to Modbus Gateway 1-port DIN Rail Screw Terminal



Function

The ICDM-RX/EN1 gateway enables the connection of serial devices (RS-232 / RS-422 / RS-485) such as barcode scanners, RFID readers and weigh scales to both PROFINET IO and Modbus networks. It combines an PROFINET IO interface with a Modbus gateway functionality and a built-in programmable data mapping sub-system, that ties everything together and doubles as a Modbus concentrator. The embedded web pages provide extensive diagnostics, intuitive and flexible configuration options, secure interfaces and numerous maintenance options. The result is a highly flexible gateway that allows full integration of PROFINET IO controllers into simple or complex Modbus networks. PROFINET IO controllers such as PLCs, HMIs, SCADAs and OPC servers can communicate to almost any Modbus gateway or client, either locally or remotely.

Dimensions



Technical Data

General specifications

UL File Number	E360395
MTBF	61.4 a

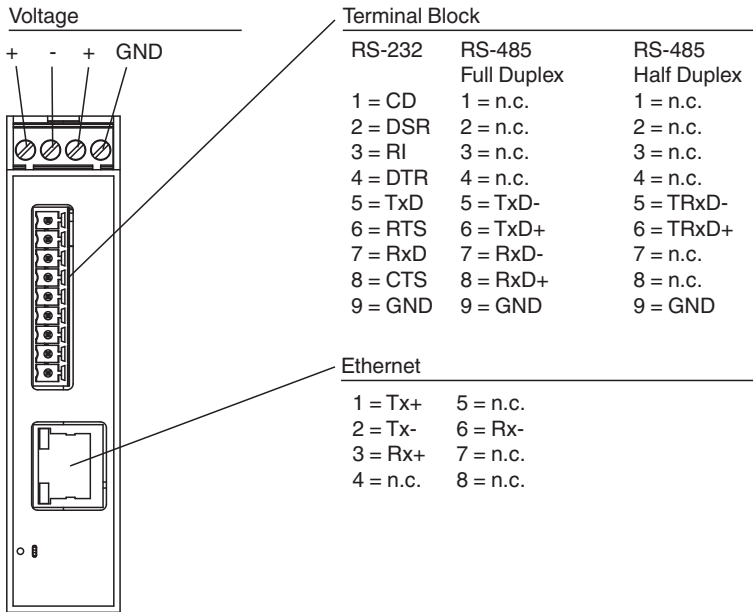
Indicators/operating means

Release date: 2024-09-25 Date of issue: 2024-09-25 Filename: 70114038_eng.pdf

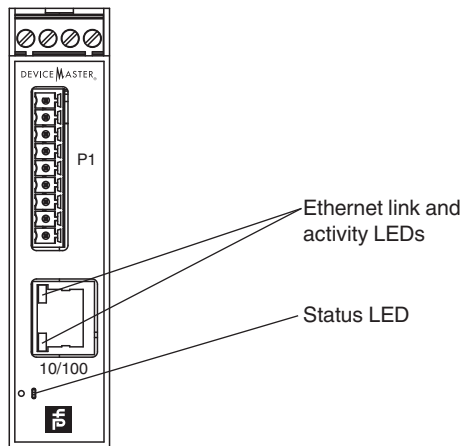
Technical Data

LED indication		see manual
Electrical specifications		
Rated operating voltage	U _e	5 ... 30 V DC
General information		Redundant power
Nominal voltage		24 V DC
Interface		
Interface type		Software selectable interfaces: RS-232 , RS-422 , RS-485 (2 and 4-wire)
Physical		1 x screw terminal
Protocol		MODBUS RTU
Supported baud rates		300 bps to 230Kbps
Interface 1		
Interface type		Industrial Ethernet
Physical		1 x RJ45
Protocol		PROFINET IO
Additional protocols		ARP, BOOTP, DHCP/RARP, HTTP, HTTPS, SSH, SSL/TLS, ICMP, RFC 1006 (ISO over TCP), SNMP (MIB-II), TCP/IP & UDP socket services, Telnet, and TFTP, and supports IP multicast data transmission
Transfer rate		10/100 Mbps
Directive conformity		
Electromagnetic compatibility		
Directive 2014/30/EU		EN 61000-6-2:2005 , EN 610006-4:2007 , EN 610006-4/A1:2011
RoHS		EN IEC 63000:2018
Standard conformity		
Degree of protection		NEMA TS2
Electrical safety		CSA C22.2 No. 61010-1-12 / CSA C22.2 No. 61010-1-201 UL 61010-1 / UL 61010-1-201
Emitted interference		EN 61000-6-4, EN 55032, FCC Part 15 Subpart B, ICES-003, AS/NZS CISPR 32
Noise immunity		EN 61000-6-2
Ambient conditions		
Ambient temperature		-40 ... 75 °C (-40 ... 167 °F)
Storage temperature		-40 ... 85 °C (-40 ... 185 °F)
Relative humidity		max. 95 %
Altitude		0 ... 3048 m
Mechanical specifications		
Degree of protection		IP20
Connection		Power Supply: screw terminals Fieldbus: 1 x RJ45 Inputs/outputs: 9-pin screw terminal block
Material		
Housing		Polyamide, UL94V-0
Mass		113.4g
Dimensions		
Height		99.1 mm
Width		22.9 mm
Length		119.3 mm
Construction type		Cabinet module
Mounting		DIN mounting rail

Connection



Assembly



Release date: 2024-09-25 Date of issue: 2024-09-25 Filename: 70114038_eng.pdf