

Serial Device Server

ICDM-RX/TCP-16RJ45/RJ45-RM



- Web-based configuration
- RS-232/422/485 software selectable interfaces
- NEMA TS2 Certified
- TCP/IP & UDP Socket Services
- Device drivers (Windows and Linux)
- Rack mount with RJ45 serial connectors

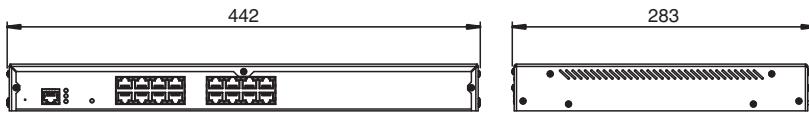
Device Server 16-port rack mount RJ45



Function

The ICDM-RX/TCP product family enables the connection of serial devices (RS-232 / RS-422 / RS-485) using a device driver (Windows or Linux) or Ethernet TCP/IP devices using socket services to an industrial Ethernet network. The integrated webserver enables complete configuration of all module parameters like serial interface, baud rate, parity, data bits, stop bits, or flow control. Products are available in different versions for DB9 or screw terminal connection.

Dimensions



UNIT HEIGHT = 43.7

Technical Data

General specifications

UL File Number E185802

Functional safety related parameters

MTBF 15.5 a

Indicators/operating means

LED indication see manual

Electrical specifications

Rated operating voltage U_e 90 ... 260 V AC

Surge protection 15 KV / 200 A for 1 ns

Interface

Interface type Software selectable interfaces: RS-232 , RS-422 , RS-485 (2 and 4-wire)

Physical 16 x RJ45

Protocol Raw serial

Supported baud rates 300 bps to 230Kbps

Interface 1

Interface type Industrial Ethernet

Physical 1 x RJ45

Protocol TCP/IP

Additional protocols ARP, BOOTP, DHCP/RARP, HTTP, HTTPS, SSH, SSL/TLS, ICMP, RFC 1006 (ISO over TCP), SNMP (MIB-II), TCP/IP & UDP socket services, Telnet, and TFTP, and supports IP multicast data transmission

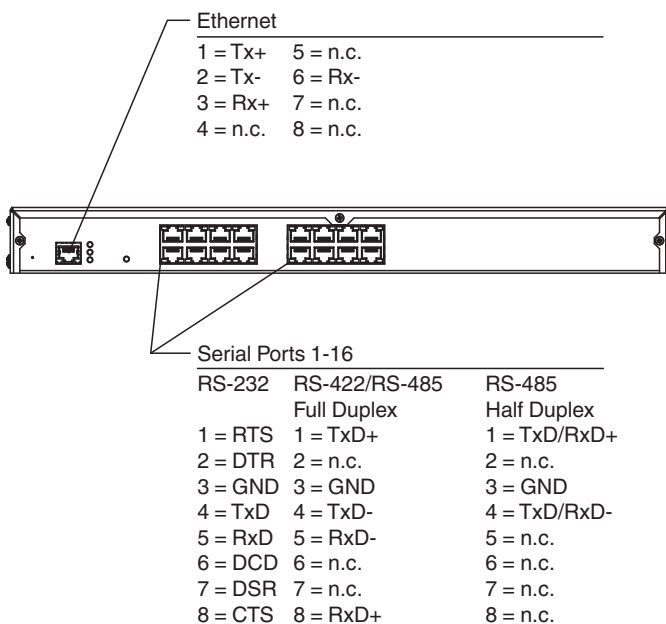
Transfer rate 10/100 Mbps

Release date: 2024-10-01 Date of issue: 2024-10-01 Filename: 70114048_eng.pdf

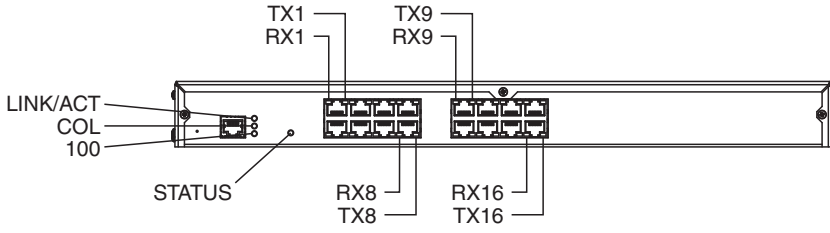
Technical Data

| | |
|----------------------------------|---|
| Directive conformity | |
| Electromagnetic compatibility | |
| Directive 2014/30/EU | EN 55032:2015+A11:2020 , EN 55035:2017/A11:2020 |
| Low voltage | |
| Directive 2014/35/EU | EN 62368-1:2014 |
| RoHS | EN IEC 63000:2018 |
| Standard conformity | |
| Electrical safety | EN 62368-1:2014-08 |
| Emitted interference | EN 55032, FCC Part 15 Subpart B, ICES-003, AS/NZS CISPR 32 |
| Noise immunity | EN 55035:2017/A11:2020 |
| Ambient conditions | |
| Ambient temperature | -40 ... 75 °C (-40 ... 167 °F) |
| Storage temperature | -40 ... 85 °C (-40 ... 185 °F) |
| Relative humidity | max. 95 % |
| Altitude | 0 ... 3048 m |
| Mechanical specifications | |
| Degree of protection | IP20 |
| Connection | Internal power supply: US and EURO cords Fieldbus: 1 x RJ45 Inputs/outputs: 16 x RJ45 |
| Material | |
| Housing | steel, black coated |
| Mass | 2.83kg |
| Dimensions | |
| Height | 44.2 mm |
| Width | 273.4 mm |
| Length | 438.2 mm |
| Construction type | Cabinet module |
| Mounting | Rack mount |

Connection



Indication



Release date: 2024-10-01 Date of issue: 2024-10-01 Filename: 70114048_eng.pdf