

Serial Device Server

ICDM-RX/TCP-32RJ45/RJ45-RM



- Web-based configuration
- RS-232/422/485 software selectable interfaces
- NEMA TS2 Certified
- TCP/IP & UDP Socket Services
- Device drivers (Windows and Linux)
- Rack mount with RJ45 serial connectors

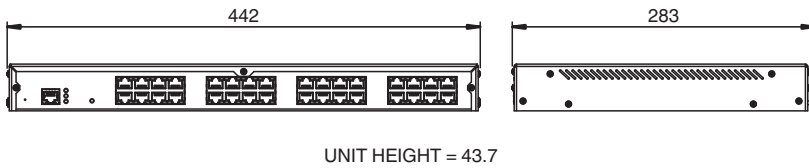
Device Server 32-port rack mount RJ45



Function

The ICDM-RX/TCP product family enables the connection of serial devices (RS-232 / RS-422 / RS-485) using a device driver (Windows or Linux) or Ethernet TCP/IP devices using socket services to an industrial Ethernet network. The integrated webserver enables complete configuration of all module parameters like serial interface, baud rate, parity, data bits, stop bits, or flow control. Products are available in different versions for DB9 or screw terminal connection.

Dimensions



Technical Data

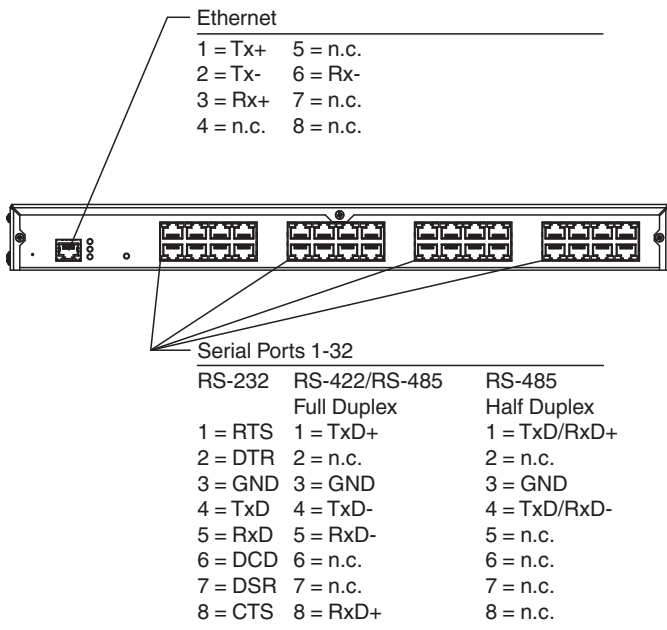
General specifications			
UL File Number	E185802		
Functional safety related parameters			
MTBF	12.9 a		
Indicators/operating means			
LED indication	see manual		
Electrical specifications			
Rated operating voltage	U _e	90 ... 260 V AC	
Surge protection	15 KV / 200 A for 1 ns		
Interface			
Interface type	Software selectable interfaces: RS-232 , RS-422 , RS-485 (2 and 4-wire)		
Physical	32 x RJ45		
Protocol	Raw serial		
Supported baud rates	300 bps to 230Kbps		
Interface 1			
Interface type	Industrial Ethernet		
Physical	1 x RJ45		
Protocol	TCP/IP		
Additional protocols	ARP , BOOTP , DHCP/RARP , HTTP , HTTPS , SSH , SSL/TLS , ICMP , RFC 1006 (ISO over TCP) , SNMP (MIB-II) , TCP/IP & UDP socket services , Telnet , and TFTP , and supports IP multicast data transmission		
Transfer rate	10/100 Mbps		

Release date: 2024-10-01 Date of issue: 2024-10-01 Filename: 70114050_eng.pdf

Technical Data

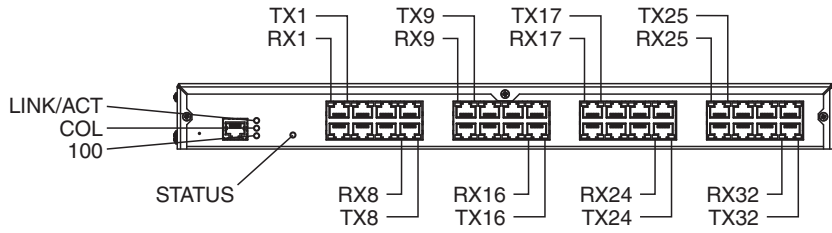
Directive conformity	
Electromagnetic compatibility	
Directive 2014/30/EU	EN 55032:2015+A11:2020 , EN 55035:2017/A11:2020
Low voltage	
Directive 2014/35/EU	EN 62368-1:2014
RoHS	EN IEC 63000:2018
Standard conformity	
Electrical safety	EN 62368-1:2014-08
Emitted interference	EN 55032, FCC Part 15 Subpart B, ICES-003, AS/NZS CISPR 32
Noise immunity	EN 55035:2017/A11:2020
Ambient conditions	
Ambient temperature	-40 ... 75 °C (-40 ... 167 °F)
Storage temperature	-40 ... 85 °C (-40 ... 185 °F)
Relative humidity	max. 95 %
Altitude	0 ... 3048 m
Mechanical specifications	
Degree of protection	IP20
Connection	Internal power supply: US and EURO cords Fieldbus: 1 x RJ45 Inputs/outputs: 32 x RJ45
Material	
Housing	steel, black coated
Mass	2.89kg
Dimensions	
Height	44.2 mm
Width	273.4 mm
Length	438.2 mm
Construction type	Cabinet module
Mounting	Rack mount

Connection Assignment



Release date: 2024-10-01 Date of issue: 2024-10-01 Filename: 70114050_eng.pdf

Assembly



Release date: 2024-10-01 Date of issue: 2024-10-01 Filename: 70114050_eng.pdf