



# Ethernet switch unmanaged gigabit ICRL-U-5RJ45-G-DIN

- Five - Gigabit ports
- Rugged housing for use in harsh environments
- 9K bytes jumbo frame for large file transfers
- Power event alarm
- Wide power input 10-60V DC
- Suitable for PROFINET IO and EtherNet/IP

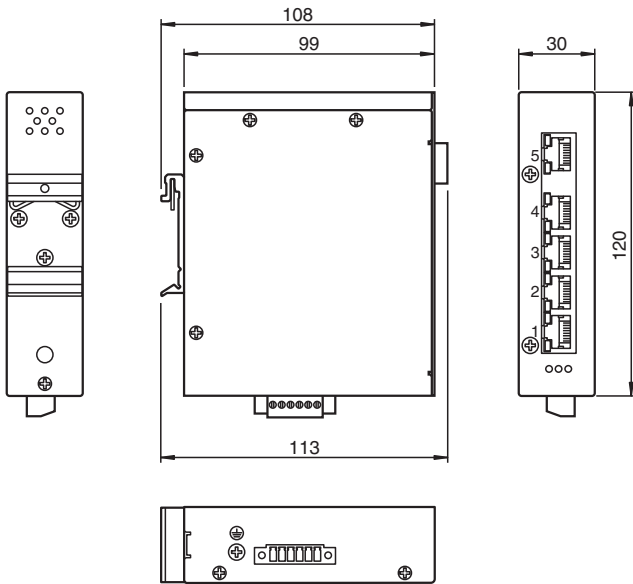
Ethernet unmanaged switch with 5 RJ45 gigabit ports and fault alarm



## Function

The ICRL-U-5RJ45-G-DIN is a compact unmanaged industrial switch with five 10/100/1000BASE-T(X) ports, which ensures high switching performance and easy installation. Along with its high switching performance, it supports multiple internal performance features, such as 9K bytes Jumbo Frame, Flow Control, it ensures quality traffic transmission. The switch is designed for operating reliably under harsh environments, it supports one alarm relay to indicate fault conditions when a power failure occurs, users can quickly handle the emergency and shorten the failover time. It has an IP31 rugged metal housing that provides great injection protection and heat dispersion capability that supports a wide operating temperature range, and it complies to EN50121-4 Track Side Standard so that can ensure the EMC protection capability.

## Dimensions



## Technical Data

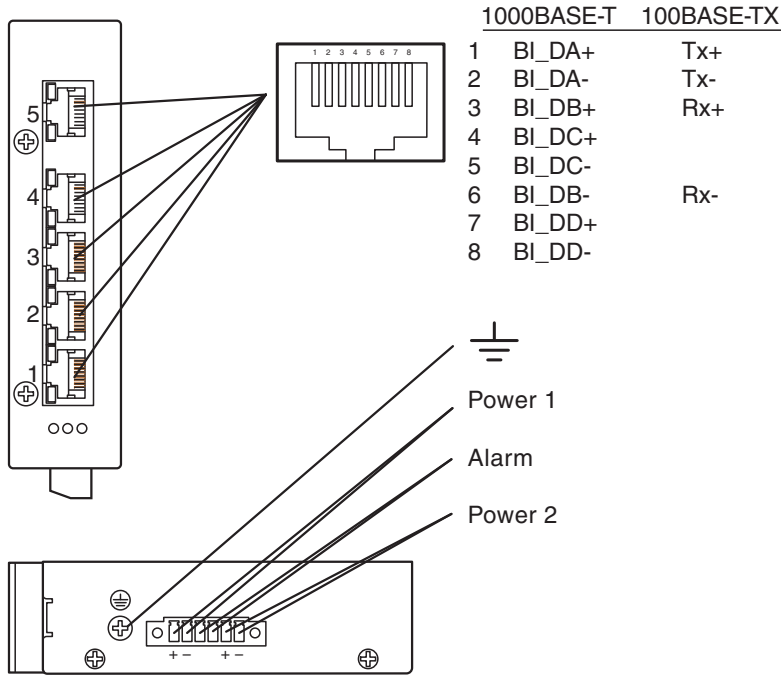
| General specifications |                     |
|------------------------|---------------------|
| UL File Number         | E185778             |
| MTBF                   | 44.5 years          |
| Ethernet Interface     |                     |
| Auto-MDI(-X)           | yes                 |
| Autonegotiation        | yes                 |
| Ethernet Interface     | Industrial Ethernet |

Release date: 2024-09-04 Date of issue: 2024-09-04 Filename: 70114054\_eng.pdf

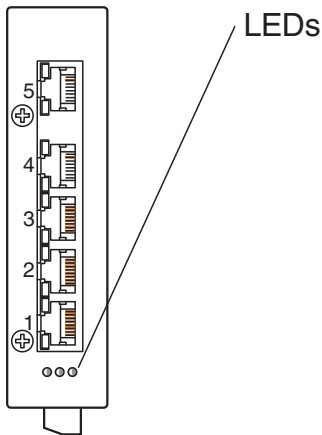
## Technical Data

|  |  |                |
|--|--|----------------|
| Transfer rate                              | 10BASE-T, 100BASE-TX, 1000BASE-T   |                |
| Cable type                                 | Category 5e or better  |                |
| <b>Standards</b>                           |  |                |
| IEEE 802.3 10BASE-T                        | yes  |                |
| IEEE 802.3u 100BASE-TX                     | yes  |                |
| IEEE 802.3x Flow Control and Back-pressure | yes  |                |
| IEEE 802.3ab 1000BASE-T                    | yes  |                |
| <b>Indicators/operating means</b>          |  |                |
| LED indication                             | see manual   |                |
| <b>Electrical specifications</b>           |  |                |
| Rated operating voltage                    | U <sub>e</sub>   | 10 ... 60 V DC |
| Power consumption                          | 3 W  |                |
| General information                        | Redundant power, power fault alarm, relay output rating 1A Max. @ 24V DC |                |
| Nominal voltage                            | 24 V DC  |                |
| <b>Interface 1</b>                         |  |                |
| Physical                                   | RJ45   |                |
| Transfer rate                              | 10/100/1000 Mbps   |                |
| <b>Inputs/Outputs</b>                      |  |                |
| Number/Type                                | 5 x RJ45   |                |
| <b>Directive conformity</b>                |  |                |
| Electromagnetic compatibility              |  |                |
| Directive 2014/30/EU                       | EN61000-6-2, EN55024 , EN61000-6-4, EN55032                              |                |
| <b>Standard conformity</b>                 |  |                |
| Emitted interference                       | EN 55032, FCC Part 15 Subpart B, ICES-003, AS/NZS CISPR 32               |                |
| Noise immunity                             | EN 55024, EN61000-6-2  |                |
| <b>Ambient conditions</b>                  |  |                |
| Ambient temperature                        | -25 ... 70 °C (-13 ... 158 °F)   |                |
| Storage temperature                        | -40 ... 85 °C (-40 ... 185 °F)   |                |
| Relative humidity                          | max. 95 %  |                |
| Altitude                                   | 0 ... 3048 m   |                |
| <b>Mechanical specifications</b>           |  |                |
| Degree of protection                       | IP30   |                |
| Connection                                 | Power Supply Terminal Block<br>Ethernet 5 x RJ45                         |                |
| <b>Material</b>                            |  |                |
| Housing                                    | aluminium, black   |                |
| Mass                                       | 650 g  |                |
| <b>Dimensions</b>                          |  |                |
| Height                                     | 120 mm   |                |
| Width                                      | 30 mm  |                |
| Length                                     | 99 mm  |                |
| Construction type                          | Cabinet module   |                |
| Mounting                                   | DIN rail or direct panel mounting  |                |

**Connection**



**Indication**



Release date: 2024-09-04 Date of issue: 2024-09-04 Filename: 70114054\_eng.pdf