



Ethernet switch unmanaged gigabit ICRL-U-4RJ45/SFP-G-DIN

- Four - Gigabit RJ45 ports and one Gigabit SFP slot
- Rugged housing for use in harsh environments
- 9K bytes jumbo frame for large file transfers
- Power event alarm
- Wide power input 10-60V DC
- Suitable for PROFINET IO and EtherNet/IP

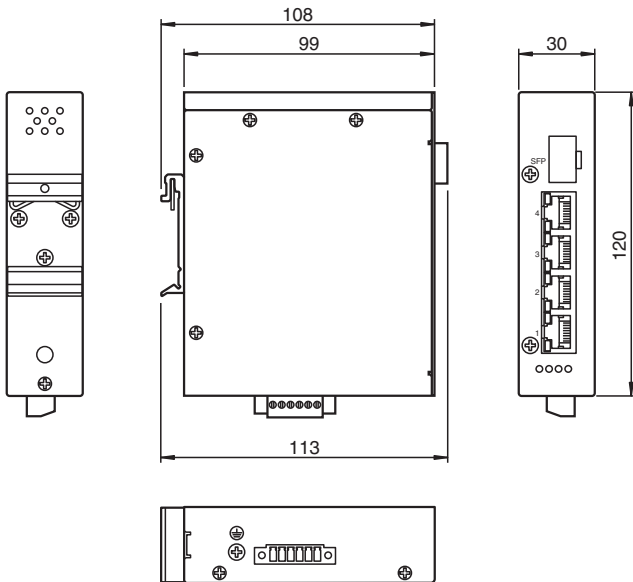
Ethernet unmanaged switch with 4 RJ45 gigabit ports, one gigabit SFP slot and fault alarm



Function

The ICRL-U-4RJ45/SFP-G-DIN is a compact unmanaged industrial switch with four 10/100/1000BASE-T(X) and one 1000BASE-F(X) ports, which ensures high switching performance and easy installation. Along with its high switching performance, it supports multiple internal performance features, such as 9K bytes Jumbo Frame, Flow Control, it ensures quality traffic transmission. The switch is designed for operating reliably under harsh environments, it supports one alarm relay to indicate fault conditions when a power failure occurs, users can quickly handle the emergency and shorten the failover time. It has an IP31 rugged metal housing that provides great injection protection and heat dispersion capability that supports a wide operating temperature range, and it complies to EN50121-4 Track Side Standard so that can ensure the EMC protection capability.

Dimensions



Technical Data

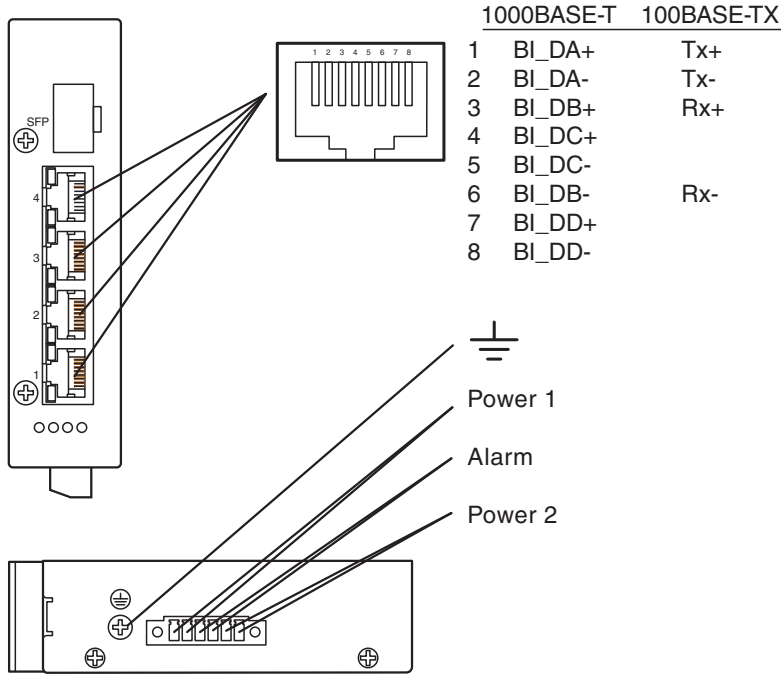
General specifications	
UL File Number	E185778
MTBF	45.3 years
Ethernet Interface	
Auto-MDI(-X)	yes
Autonegotiation	yes
Ethernet Interface	Industrial Ethernet

Release date: 2024-09-04 Date of issue: 2024-09-04 Filename: 70114055_eng.pdf

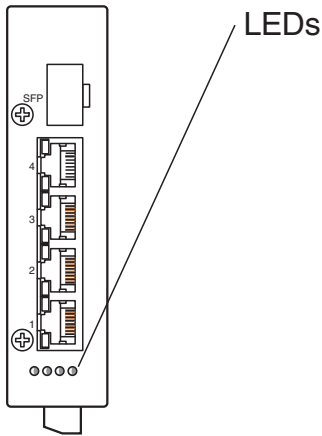
Technical Data

Transfer rate	10BASE-T, 100BASE-TX, 1000BASE-T	
Cable type	Category 5e or better	
Standards		
IEEE 802.3 10BASE-T	yes	
IEEE 802.3u 100BASE-TX	yes	
IEEE 802.3x Flow Control and Back-pressure	yes	
IEEE 802.3ab 1000BASE-T	yes	
Indicators/operating means		
LED indication	see manual	
Electrical specifications		
Rated operating voltage	U _e	10 ... 60 V DC
Power consumption	3.6 W	
General information	Redundant power, power fault alarm, relay output rating 1A Max. @ 24V DC	
Nominal voltage	24 V DC	
Interface 1		
Physical	RJ45	
Transfer rate	10/100/1000 Mbps	
Inputs/Outputs		
Number/Type	4 x RJ45 , 1 x SFP	
Directive conformity		
Electromagnetic compatibility		
Directive 2014/30/EU	EN61000-6-2, EN55024 , EN61000-6-4, EN55032	
Standard conformity		
Emitted interference	EN 55032, FCC Part 15 Subpart B, ICES-003, AS/NZS CISPR 32	
Noise immunity	EN 55024, EN61000-6-2	
Ambient conditions		
Ambient temperature	-25 ... 70 °C (-13 ... 158 °F)	
Storage temperature	-40 ... 85 °C (-40 ... 185 °F)	
Relative humidity	max. 95 %	
Altitude	0 ... 3048 m	
Mechanical specifications		
Degree of protection	IP30	
Connection	Power Supply Terminal Block Ethernet 5 x RJ45	
Material		
Housing	aluminium, black	
Mass	650 g	
Dimensions		
Height	120 mm	
Width	30 mm	
Length	99 mm	
Construction type	Cabinet module	
Mounting	DIN rail or direct panel mounting	

Connection



Indication



Release date: 2024-09-04 Date of issue: 2024-09-04 Filename: 70114055_eng.pdf