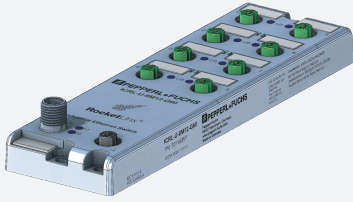


Ethernet switch unmanaged

ICRL-U-8M12-G60



- IP65/67 rugged housing for use in harsh environments
- Eight M12 10/100BASE-TX ports
- Redundant power supply
- C1D2 certification
- Suitable for PROFINET IO and EtherNet/IP
- Extended operating temperature range (-40 to +70 °C)

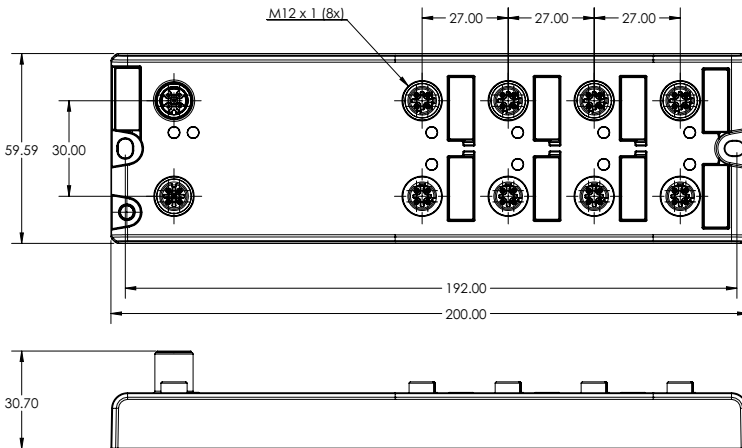
Ethernet unmanaged IP67 switch with 8 M12 ports and extended temperature range



Function

The RocketLinx ICRL-U-8M12-G60 is an 8-port unmanaged field-mountable Ethernet switch designed for use in industrial applications. With eight 10/100 Mbps Ethernet ports and redundant power inputs all utilizing M12 connections, it achieves an IP65/67 protection rating. Its passively cooled design ensures long-term reliability while supporting a wide operating temperature range from -40 to +70°C making it appropriate for use in extreme conditions. Further flexibility is provided by its wide input voltage range of 9.6 to 45 VDC.

Dimensions



Technical Data

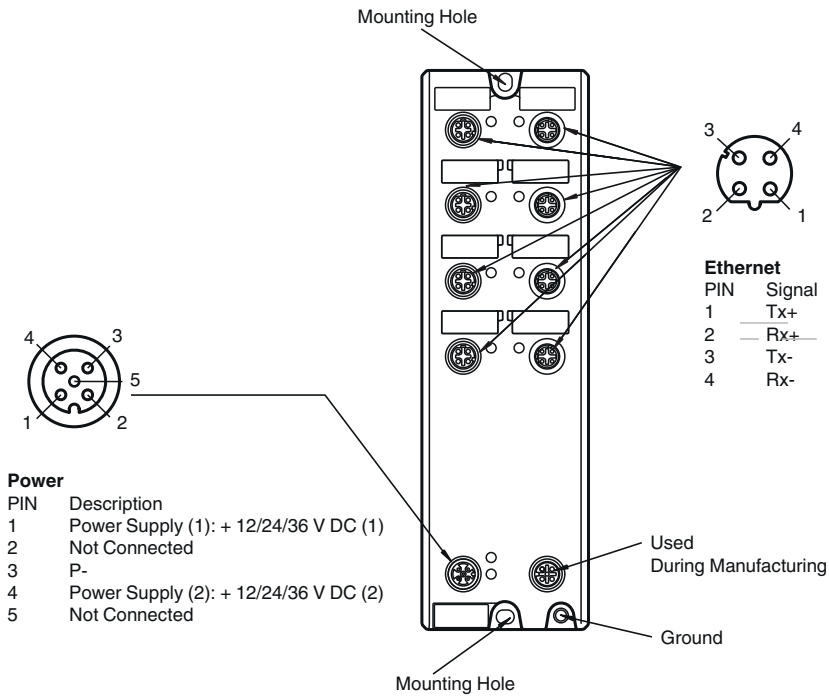
General specifications	
UL File Number	E223772
Functional safety related parameters	
MTBF	6779960 hours (25 °C), 2716143 hours (60°C)
Ethernet Interface	
Connection type	M12, D-coded
Auto-MDI(-X)	yes
Autonegotiation	yes
Transfer rate	10BASE-T, 100BASE-TX 10/100 Mbps
Cable type	Category 5e or better
Standards	
IEEE 802.3 10BASE-T	yes
IEEE 802.3u 100BASE-TX	yes

Release date: 2025-07-05 Date of issue: 2025-07-05 Filename: 70114057_eng.pdf

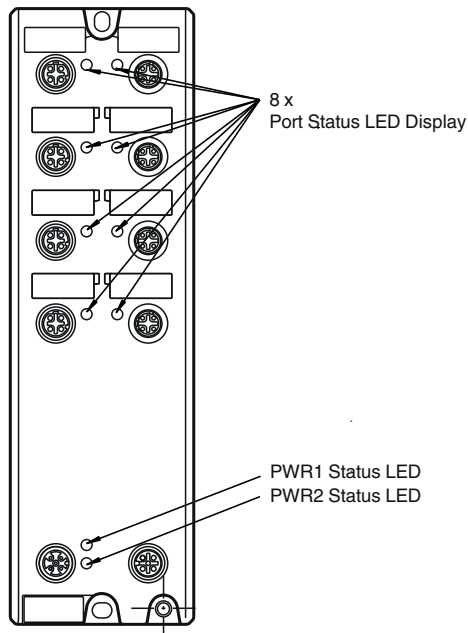
Technical Data

IEEE 802.3x Flow Control and Back-pressure		yes
IEEE 802.1p Class of Service (CoS)		yes
Indicators/operating means		
LED indication		see manual
Electrical specifications		
Rated operating voltage	U _e	9.6 ... 45 V DC
Power consumption		4.2 W
General information		A-Coded M12 power , Redundant power
Nominal voltage	U _N	12 V , 24 V , 36 V
Inputs/Outputs		
Number/Type		8 x M12 (Fast Ethernet)
Directive conformity		
Electromagnetic compatibility		
Directive 2014/30/EU		EN 55032:2015 , EN 61000-6-2:2005 , EN 61131-2:2007 , EN 50121-4:2016 , EN 55032:2015+A11:2020
RoHS		
Directive 2011/65/EU (RoHS)		EN IEC 63000:2018
Standard conformity		
Electrical safety		IEC 61010
Emitted interference		EN 55032, FCC Part 15 Subpart B, ICES-003, AS/NZS CISPR 32
Shock resistance		IEC 60068-2-27
Permanent shock resistance		IEC 60068-2-64
Vibration resistance		IEC 60068-2-6
Standards		EN 50155
Approvals and certificates		
UL approval		E223772 , E492874
E1 Type approval		E1*118R03/02*0254*02
Ambient conditions		
Ambient temperature		-40 ... 70 °C (-40 ... 158 °F)
Storage temperature		-40 ... 85 °C (-40 ... 185 °F)
Relative humidity		max. 100 %
Mechanical specifications		
Degree of protection		IP65 , IP67
Connection		Power Supply M12 A-coded Ethernet 8 x M12 D-coded
Material		
Housing		Aluminum
Mass		470 g
Dimensions		
Height		200 mm
Width		60 mm
Length		31 mm
Construction type		Field housing
Mounting		Field mounted

Connection



Indication



Release date: 2025-07-05 Date of issue: 2025-07-05 Filename: 70114057_eng.pdf