



## Ethernet switch managed gigabit ICRL-M-16RJ45/4CP-G-DIN

- 16 Gigabit Ethernet RJ45 ports, 4 Gigabit Ethernet RJ45 ports shared with 4 SFP ports
- Layer 2 Network Performance
- Redundant power input with a input power range of 10 to 60VDC
- IP20 with an extreme operating temperature range of -40 to 75°C
- Suitable for PROFINET IO and EtherNet/IP

Ethernet managed gigabit switch with 20 RJ45 ports with 4 shared SFP ports

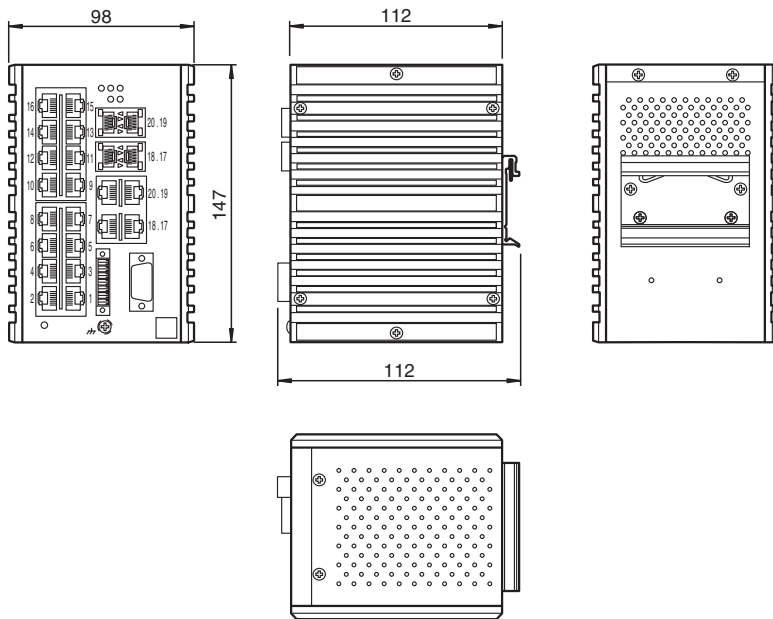


### Function

The ICRL-M-16RJ45/4CP-G-DIN is a managed industrial Ethernet Switch with sixteen RJ45 Gigabit ports and four Gigabit RJ45/SF Combo ports. The rugged, industrial design and extended operating temperature range make the switch ideal for installations where reliability is critical, including factory automation, harsh environments, locations that may be prone to electrical magnetic interference and deployment in outdoor cabinets.

The robust suite of management features, advanced access control and security, and availability of up to 20 ports with SFP fiber options ensures the ICRL-M-16RJ45/4CP-G-DIN meets the high demands of mission-critical industrial networking applications.

### Dimensions



### Technical Data

General specifications	
UL File Number	E185778
MTBF	35.2 years
Ethernet Interface	
Connection type	RJ45 , SFP
Auto-MDI(-X)	yes
Autonegotiation	yes

Release date: 2024-04-22 Date of issue: 2024-04-22 Filename: 70114060\_eng.pdf

## Technical Data

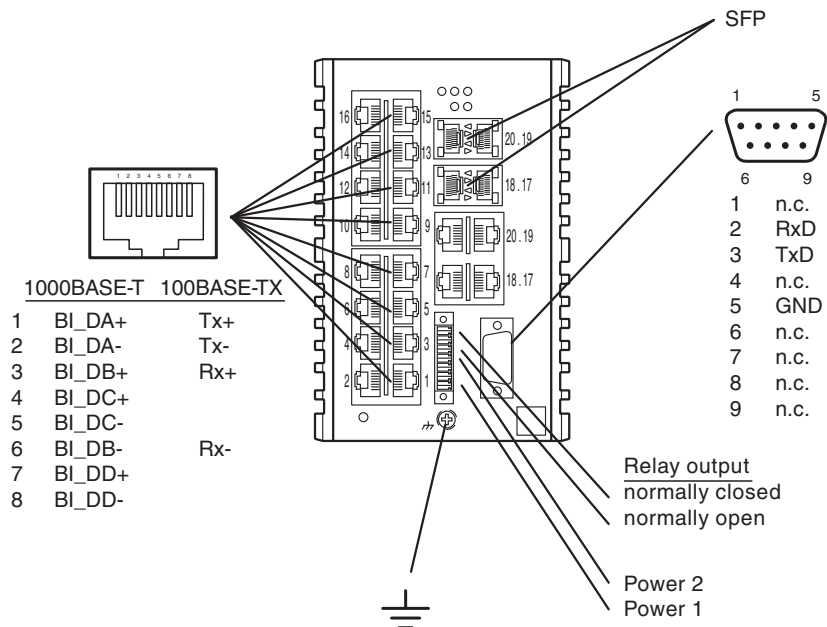
Ethernet Interface	Industrial Ethernet	
Transfer rate	16 - 10BASE-T, 100BASE-TX, 1000BASE-T, 4 - SFP 100/1000 Mbps	
Management	IPv4, IPv6, Console, HTTP, HTTPS, PortVision DX, SFTP, SNMP (v1, v2c, and v3), SSH, Telnet, TFTP	
MIB	MIB-II, Bridge MIB, Ethernet-like-MIB, VLAN MIB, IGMP MIB, Private MIB	
Monitoring	LLDP, Port Mirroring, RMON	
Multicast	IGMP Query, IGMP Snooping, GMRP	
Network performance	CFM, Jumbo Frames, QoS, CoSQueue Mapping, DSCP Priority Mapping	
Network redundancy	STP, RSTP, MSTP, ERPS, Redundant Ring, LACP, Static Port Aggregation	
Network services	DHCP Server (with Option 82), NTP, IEEE 1588 PTPv2 over UDP/IP	
Notifications	E-Mail, Fault Relay, SNMP Traps, Syslog	
Safety	RADIUS, TACACS+, DHCP Snooping, IP Source Guard, Dynamic ARP Inspection, MAC-Based Port Security	
Traffic filtering	Storm Control (Broadcast, Multicast, and DLF), Rate Control, VLAN, Private VLAN, QinQTunneling, GVRP, IP Filtering, MAC Filtering, ARP Filtering	
Cable type	Category 5e or better	
Switch properties		
Hardware watchdog timer	10 s reset timer	
MAC address table size	16K	
Operating mode	Store and forward	
Packet buffer size	1.5M Bytes shared memory for packet buffer with intelligent memory management unit for burst data traffic	
Priority queues	4	
VLAN entries	IEEE 802.1Q Tag VLAN with 256 VLAN Entries and provides 2K GVRP entries; 3 VLAN link modes- Trunk mode, Hybrid mode and Link access mode	
SFP support	100BASE-FX Fiber, 1000BASE-SX/LX/LHX/XD/ZX	
Standards		
IEEE 802.3 10BASE-T	yes	
IEEE 802.3u 100BASE-TX	yes	
IEEE 802.3x Flow Control and Back-pressure	yes	
IEEE 802.1p Class of Service (CoS)	yes	
IEEE 802.3ab 1000BASE-T	yes	
IEEE 802.1AB Link Layer Discovery Protocol (LLDP)	yes	
IEEE 802.1Q VLAN and GVRP	yes	
IEEE 802.1D-2004 Rapid Spanning Tree Protocol (RSTP)	yes	
IEEE 802.1s Multiple Spanning Tree Protocol (MSTP)	yes	
IEEE 802.3ad Link Aggregation Protocol (LACP)	yes	
IEEE802.1ad QinQ Tunneling	yes	
IEEE 802.1x Port Based Network Access Protocol	yes	
ITU-T G.8032 ERPS	yes	
<b>Indicators/operating means</b>		
LED indication	see manual	
<b>Electrical specifications</b>		
Rated operating voltage	U <sub>e</sub>	10 ... 60 V DC
Power consumption	25 W	
General information	Redundant power, relay output rating 0.5A Max. @ 24V DC	
Nominal voltage	24 V DC	
<b>Inputs/Outputs</b>		
Number/Type	16 x RJ45 , 4 x RJ45 shared with SFP ports , 4 SFP ports	
<b>Directive conformity</b>		
Electromagnetic compatibility		

Release date: 2024-04-22 Date of issue: 2024-04-22 Filename: 70114060\_eng.pdf

**Technical Data**

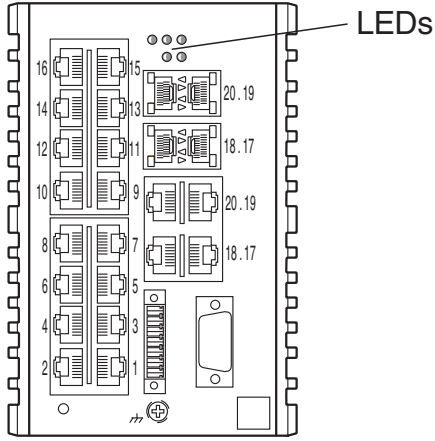
Directive 2014/30/EU	EN 61000-6-2, IEC 61000-6-2 , EN 61000-6-4, IEC 61000-6-4
<b>Standard conformity</b>	
Electrical safety	CSA C22.2 No. 60950 / CSA C22.2 No. 60950/UL60950
Emitted interference	CISPR 22 , FCC Part 15 Subpart B Class A , EN61000-6-4, IEC61000-6-4
Noise immunity	EN61000-6-2, IEC61000-6-2
<b>Ambient conditions</b>	
Ambient temperature	-40 ... 75 °C (-40 ... 167 °F)
Storage temperature	-40 ... 85 °C (-40 ... 185 °F)
Relative humidity	max. 95 %
Altitude	0 ... 3048 m
<b>Mechanical specifications</b>	
Degree of protection	IP30
Connection	Power Supply Terminal Block (6-pin) Ethernet 16 x RJ45, 4 x RJ45 shared SFP, 4 x SFP
<b>Material</b>	
Housing	aluminium, black
Mass	1380 g
<b>Dimensions</b>	
Height	147 mm
Width	114 mm
Length	112 mm
Construction type	Cabinet module
Mounting	DIN rail or direct panel mounting

**Connection**



Release date: 2024-04-22 Date of issue: 2024-04-22 Filename: 70114060\_eng.pdf

Indication



Release date: 2024-04-22 Date of issue: 2024-04-22 Filename: 70114060\_eng.pdf