



Stationary read device OPC120W-F200-R2-Ex

- Explosion protection for use in Zone 1, Zone 2, Zone 21 and Zone 22
- Reads 1-D and 2-D codes at high speeds of up to 6 m/s at 30 readings/s
- High depth of focus
- Code quality index output
- Logo comparison
- Presence detection

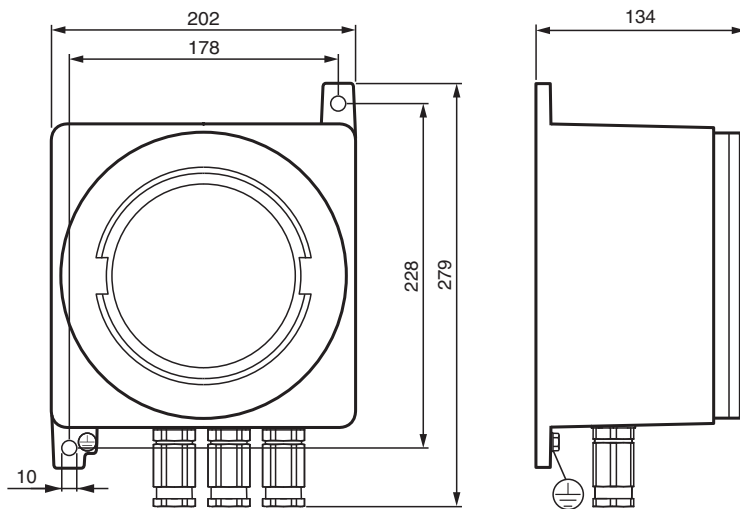
Stationary read device for hazardous area



Function

With the OPC120, Pepperl+Fuchs provides the solution to code reading and detection tasks for many industries and applications. Whether reading 1D and 2D codes at high speed, at varying intervals, reflective surfaces or a variety of detection tasks, with the OPC120 you always have the right Vision Sensor at your disposal.

Dimensions



Technical Data

General specifications

| | |
|----------------------|---|
| Light type | Integrated LED lightning (white) |
| Symbologies | Data Matrix, Code 39, Code 128, Int 2 of 5, EAN13, Pharmacode |
| Read distance | 60 ... 160 mm Nominal distance: 120 mm |
| Reading field | Minimum read field: 28 mm x 45 mm Read field at nominal distance: 44 mm x 70 mm Maximum read field: 60 mm x 95 mm |
| Modul size | Minimum module size: 0.3 mm |
| Evaluation frequency | up to 30 Hz |
| Target velocity | triggered max. 6 m/s |
| Data Matrix | |
| Symbol size | rectangular up to 144 x 144 modules rectangular up to 16 x 48 modules |
| Data format | ASCII, C40, Text, X12, Edifact, Base 256 , all according to ISO 646 |

Release date: 2022-03-09 Date of issue: 2022-03-09 Filename: 70114069_eng.pdf

Technical Data

| | | | |
|---|-----------------|---|--|
| Orientation | omnidirectional | | |
| Nominal ratings | | | |
| Camera | | | |
| Type | | CMOS , Global shutter | |
| Number of pixels | | 752 x 480 pixels | |
| Gray scale | | 256 | |
| Image recording | | real-time , Program-controlled or triggered externally | |
| Functional safety related parameters | | | |
| MTTF _d | | 40.5 a | |
| Mission Time (T _M) | | 8 a | |
| Diagnostic Coverage (DC) | | 0 % | |
| Indicators/operating means | | | |
| Operation indicator | | LED green: Ready for operation | |
| LED indication | | for good/poor reading | |
| Electrical specifications | | | |
| Operating voltage | U _B | 24 V DC ± 15% , PELV | |
| No-load supply current | I ₀ | max. 250 mA | |
| Power consumption | P ₀ | 6 W | |
| Interface | | | |
| Interface type | | serial , RS 232 | |
| Transfer rate | | max. 115.2 kBit/s | |
| Cable length | | max. 30 m | |
| Interface 1 | | | |
| Interface type | | Ethernet | |
| Protocol | | TCP/IP | |
| Transfer rate | | 100 MBit/s | |
| Cable length | | max. 30 m | |
| Input | | | |
| Input voltage | | to be applied externally 24 V ± 15% PELV | |
| Number/Type | | Trigger | |
| Input current | | approx. 10 mA at 24 V DC | |
| Switching threshold | | low: < 10 V, high: > 15 V | |
| Cable length | | max. 30 m | |
| Output | | | |
| Number/Type | | GOOD, BAD, Matchcode | |
| Switching type | | PNP | |
| Switching voltage | | to be applied externally 24 V ± 15 % PELV | |
| Switching current | | 100 mA each output | |
| Cable length | | max. 30 m | |
| Compliance with standards and directives | | | |
| Standard conformity | | | |
| Noise immunity | | EN 61326-1 | |
| Emitted interference | | EN 61000-6-4 | |
| Degree of protection | | EN 60529 | |
| Laser class | | IEC 60825-1:2007 | |
| Approvals and certificates | | | |
| IECEx approval | | IECEx INE 14.0042X | |
| ATEX approval | | INERIS 14 ATEX 0035X Device type: GUBW1.D.OS-OPC120W-F200-R2 | |
| Marking | | Ⓜ II 2 GD Ex db IIC T6 Gb Ex tb IIIC T85°C Db | |
| Ambient conditions | | | |
| Ambient temperature | | 0 ... 37 °C (32 ... 98.6 °F) | |

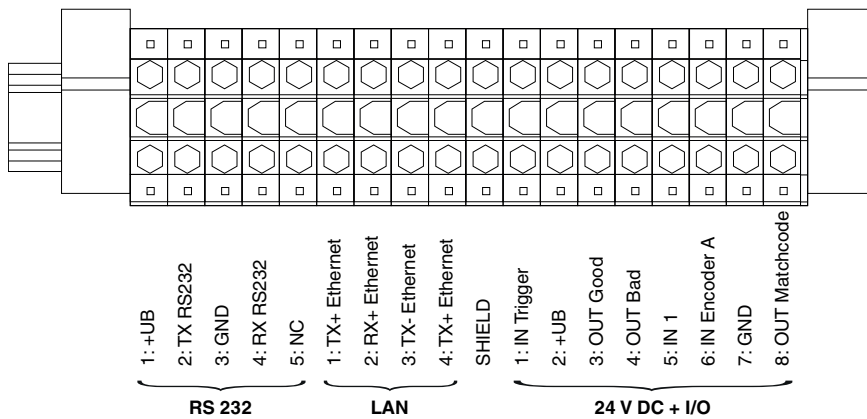
Release date: 2022-03-09 Date of issue: 2022-03-09 Filename: 70114069_eng.pdf

Technical Data

Mechanical specifications

| | |
|-------------------------|--|
| Connection type | Connection terminals, max. conductor cross-section 2.5 mm ² |
| Conductor cross section | 0.13 ... 2.5 mm ² |
| Cable gland | 3 ... 8.5 mm |
| Enclosure cover | threaded round cover |
| Cover fixing | flamepath thread |
| Cover seal | none, O-ring for IP66/67 |
| Flamepath grease | petroleum jelly |
| Degree of protection | IP66 (IP66/67 with O-ring) |
| Material | |
| Enclosure | aluminum alloy |
| Glass | thermo-resistant tempered glass |
| Finish | epoxy coated RAL 7005 (grey) |
| Mass | approx. 7 kg |
| Grounding | M6 external grounding points |

Connection



Accessories

| | | |
|--|------------------------------|--|
| | V1SD-G-2M-PUR-ABG | Ethernet bus cable, M12, PUR cable, 4-pin, CAT5e |
| | V45-G-C5-GN3M-PUR-E1S | Ethernet bus cable male cordset single-ended RJ45, 4-pin, PUR cable green, Cat5e, shielded, UL approved, drag chain suitable |