

Mounting aid

OMH-ML100-09

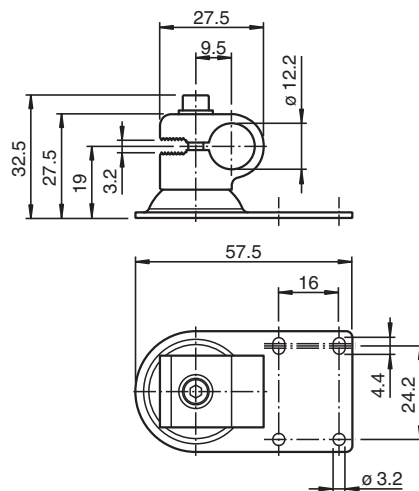


- Bracket for round steel or sheet
- Simple and fast mounting

Mounting aid for round steel \varnothing 12 mm or sheet 1.5 mm ... 3 mm



Dimensions



Technical Data

Mechanical specifications

Material	Aluminum Stainless steel
Mass	approx. 50 g
Mounting	Mounting accessories included
Note	Infinitely adjustable on all axes
Suitable series	
Series	ML100 ; R100

Release date: 2020-06-29 Date of issue: 2020-06-30 Filename: 70114071_eng.pdf