

Cable Glands, Plastic

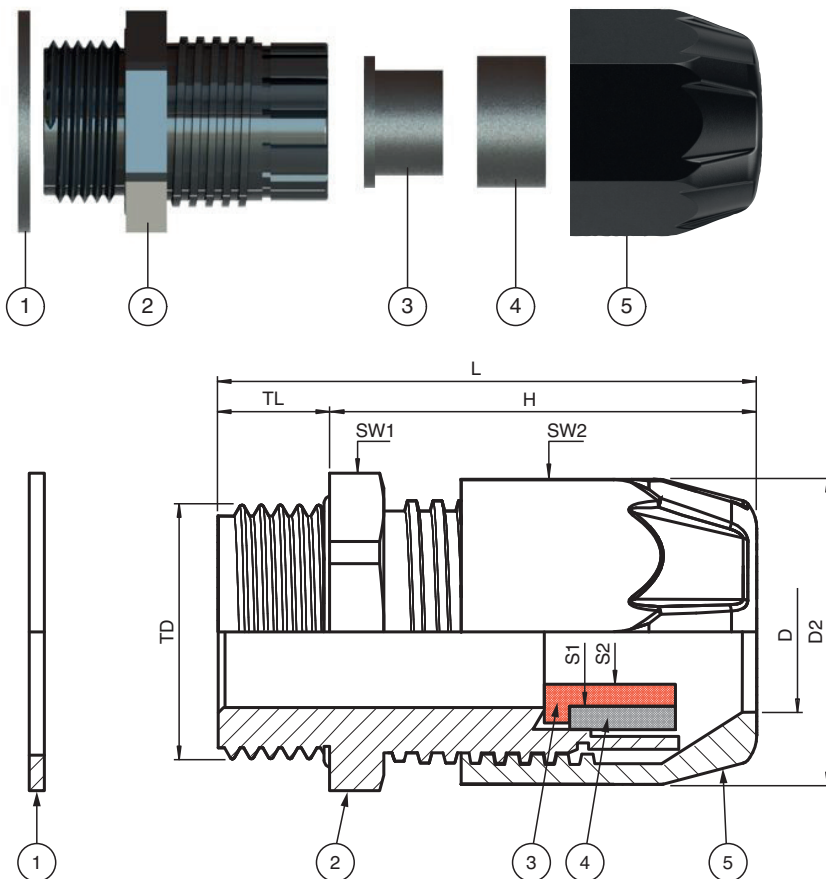
CG.PEDS1.M32.PA.C.15.K20



- For cables without armor
- Thread M32
- Thread length 15 mm
- Ex eb and Ex tb certified
- High impact-resistant polyamide material
- Seal chloroprene
- Suitable for operation in Zone 1, Zone 2, Zone 21 and Zone 22
- Very large clamping range due to double sealing insert
- Full impact resistance of 7 J according to IEC/EN 60079-0 for the full range without limitations
- Packaging unit: 20 pieces, without accessories



Dimensions



Release date: 2025-04-08 Date of issue: 2025-04-08 Filename: 70114977_eng.pdf

Dimensions

Details see data table

| Legend | |
|--------|--|
| 1 | Flat gasket |
| 2 | Gland body basis |
| 3 | Seal insert S3 |
| 4 | Seal insert S2 |
| 5 | Cap nut |
| | |
| D | Clamping range, cable sheath diameter |
| D2 | Width across corners |
| H | Length outside enclosure |
| L | Total length |
| S* | Clamping range, seal insert combinations |
| SW* | Width across flats |
| TD | Thread size |
| TL | Thread length |

Technical Data

Mechanical specifications

| | |
|--|---------------------------------|
| Cable type | non-armored cables |
| Clamping range (D) | 12 ... 21 mm |
| Seal combination S1 | 16 ... 21 mm |
| Seal combination S1+S2 | 12 ... 16 mm |
| Thread type | metric ISO pitch 1.5 mm |
| Thread size (TD) | M32 |
| Degree of protection | IP66 / IP68 |
| Material | |
| Endcaps | black |
| Finish | inherent color black |
| Cable gland | high impact-resistant polyamide |
| Washer gasket | flat chloroprene gasket |
| Seal insert | chloroprene |
| Mass | |
| Individual component | approx. 32 g |
| Packing unit | approx. 640 g |
| Dimensions | |
| Width across corners (D2) | 41 mm |
| Diameter thru-hole (DT) | 32 ... 32.3 mm |
| Length outside enclosure (H) | 47.3 mm |
| Width across flats (SW1) | 36 mm |
| Width across flats (SW2) | 36 mm |
| Thread length (TL) | 15 mm |
| Total length (L) | 62.3 mm |
| Tightening torque | |
| Nut torque at enclosure (SW1) | 4 Nm |
| Nut torque 2 with seal S1 (SW2) | 6 Nm |
| Nut torque 2 with seals S1+S2 (SW2) | 4.5 Nm |
| Ambient conditions | |
| Ambient temperature | -40 ... 70 °C (-40 ... 158 °F) |
| Data for application in connection with hazardous areas | |

Release date: 2025-04-08 Date of issue: 2025-04-08 Filename: 70114977_eng.pdf

Technical Data

| | |
|---------------------------------|--|
| EU-type examination certificate | IMQ 15 ATEX 006X |
| Marking | Ⓜ II 2 GD Ex eb IIC Gb Ex tb IIC Db |
| International approvals | |
| IECEX approval | IECEX IMQ 15.0001X |
| UKCA approval | CML 22 UKEX 31379X |
| INMETRO approval | DNV 20.0030 X |
| CCC approval | 2021312313000450 |
| Conformity | |
| Degree of protection | EN 60529 |
| General information | |
| Delivery quantity | 20 |
| Scope of delivery | Cable gland Brief instructions (1 copy) |
| Supplementary information | EC-Type Examination Certificate, Statement of Conformity, Declaration of Conformity, Attestation of Conformity and instructions have to be observed where applicable. For information see www.pepperl-fuchs.com . |
| Accessories | |
| Sealing plugs | BP.PDS.M32.PA |