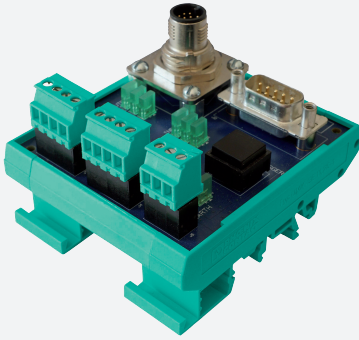


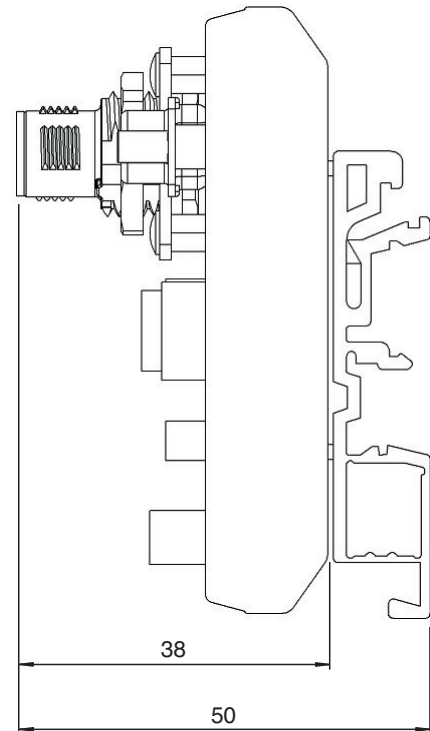
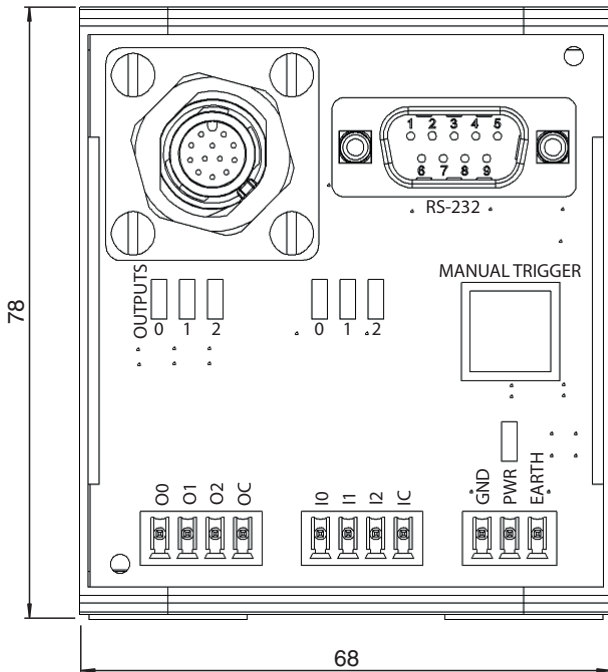
Evaluation board for VOS cameras

VOS-PROG1



- Evaluation board for VOS cameras
- LED for displaying the switching output states
- Terminals for I/O signals and power supply

Dimensions



Technical Data

Indicators/operating means

LED green	3 x Input I0, I1, I2 3 x Output O0, O1, O2 1 x PWR
-----------	--

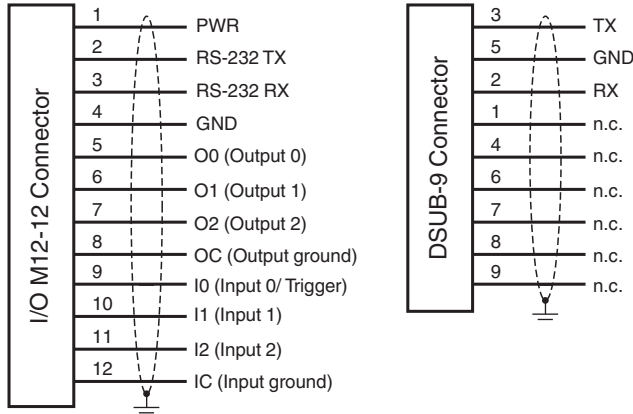
Electrical specifications

Operating voltage	U_B	max. 24 V
Operating current	I_B	max. 200 mA

Interface

Connection	1 x M12 connector, 12-pin 1 x D-Sub plug 9-pin
------------	---

Connection



Release date: 2021-03-26 Date of issue: 2021-03-26 Filename: 70114983_eng.pdf